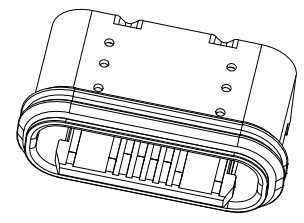
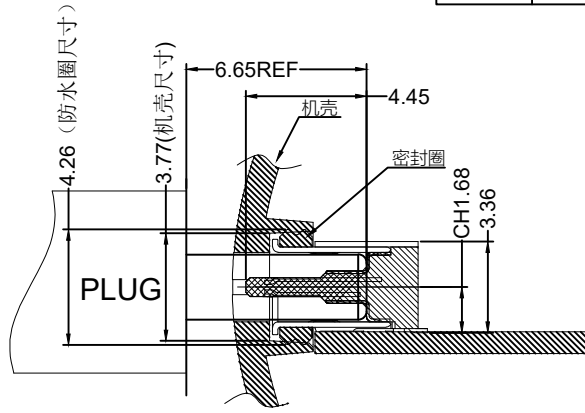
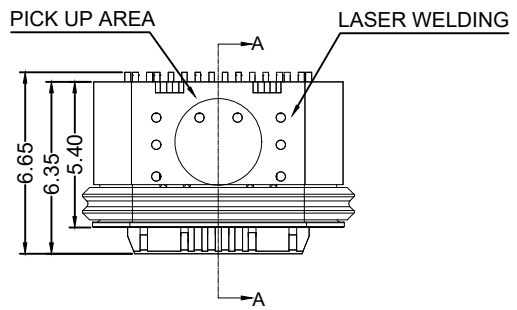
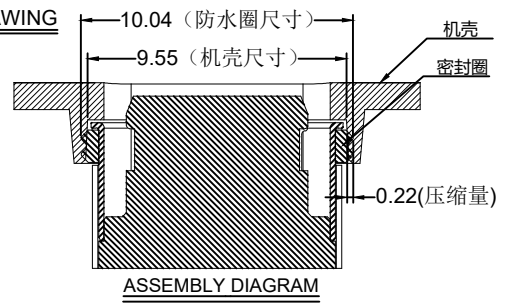
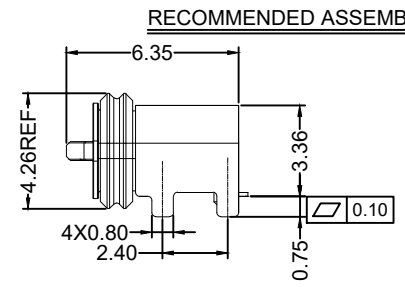
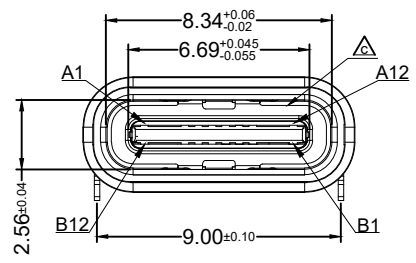




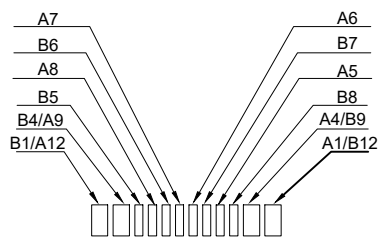
REV	DESCRIPTION	DATE	APPROVED
A	新版发行	2020. 11. 06	HHM



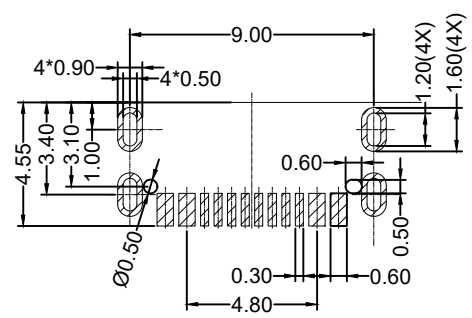
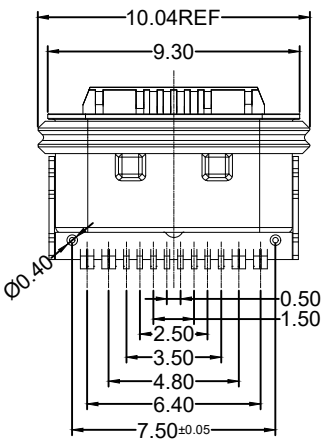
- SPECIFICATION:**
- CURRENT RATING: 5.0 A
 - VOLTAGE RATING: 5.0 V
 - VBUS & GND PINS AND OTHER PINS: 40mΩ/PIN MAX
SHIELD: 50mΩ/MAX
LLCR MAX. CHANGE OF ALL PINS: 10mΩ
 - INSULATION RESISTANCE: 100MΩ MIN
 - DIELECTRIC WITHSTAND VOLTAGE, AC 100V FOR 1MINUTE
 - INSERTION FORCE: 0.5~2.0kgf
 - UNMATING FORCE: 0.8-2.0kgf
 - DURABILITY: 10000 CYCLES
 - OPERATING TEMPERATURE: -25°C~+85°C
 - THE PEAK TEMPERATURE ON THE BOARD SHALL BE MAINTAINED FOR 10 SECONDS AT 260°C
 - WATERPROOF: IPX5



RECOMMENDED PCB LAYOUT
TOLERANCE: ±0.05



A1	A2	A3	A4	A5	A6	A7	A8	A9	A10	A11	A12
GND			VBUS	CC1	D+	D-	SBU1	VBUS			GND
B12	B11	B10	B9	B8	B7	B6	B5	B4	B3	B2	B1
GND			VBUS	SBU2	D-	D+	CC2	VBUS			GND



CUSTOMER DRAWING

UNITS mm	SCALE 1:1	SHEET 1 OF 2
PROJECTION: 	DRAW: DAP	
GENERAL TOLERANCE .000 ±0.02 .00 ±0.10 .0 ±0.20 .0 ±2° .00 ±1°	CHECK: HWT	APPD: HHM

铭创科技（东莞）有限公司
Mingchuang Technology (Dongguan) Co., Ltd.

TITLE
防水TYPE C母座16PIN 板上四脚插板SMT
L=5.45 双外壳 舌片外露

MAT'L
SEE TABLE

FINISH
SEE TABLE

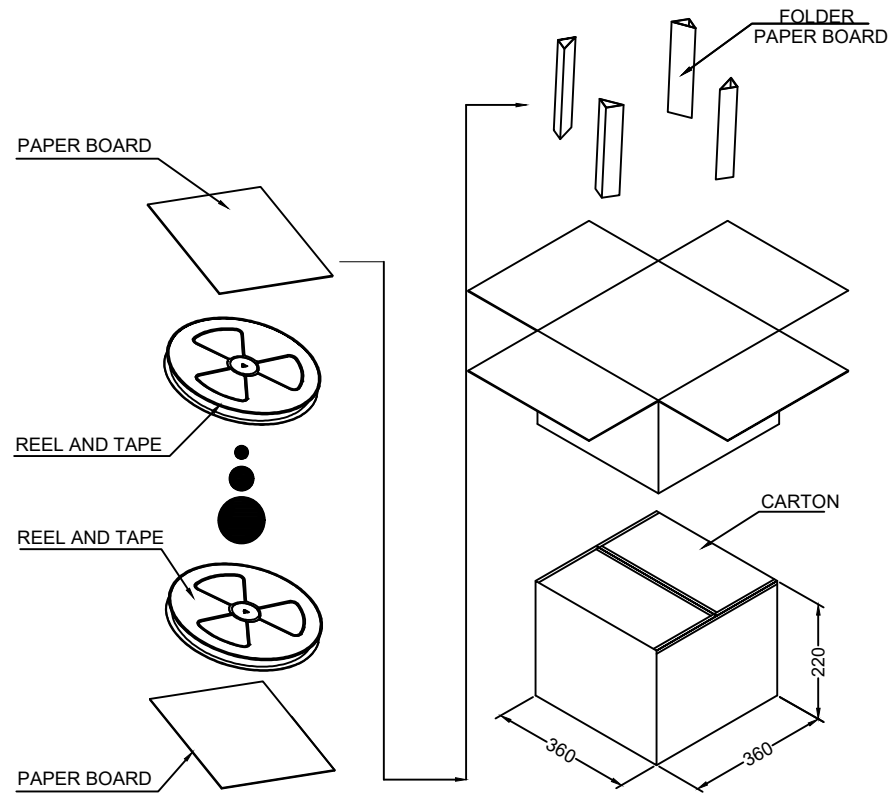
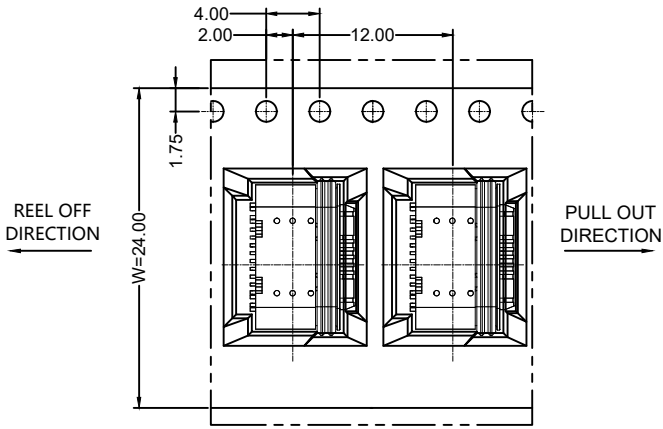
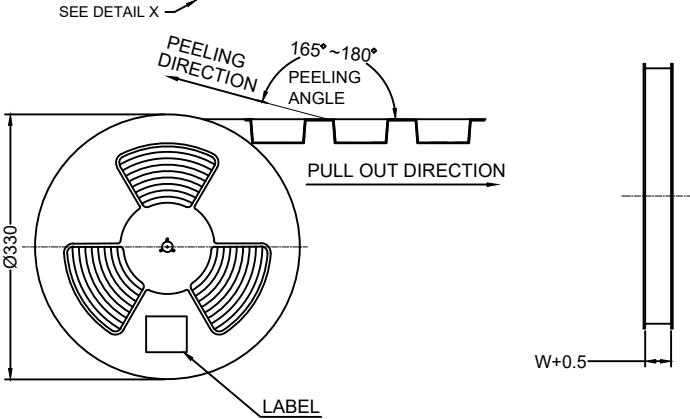
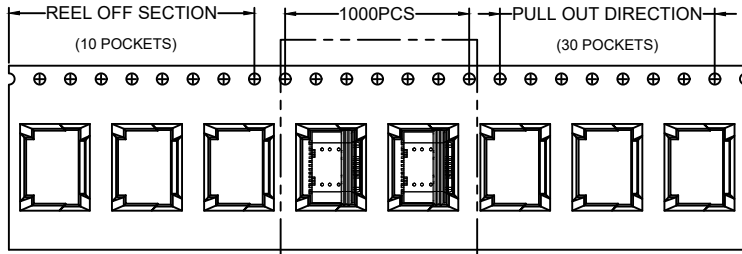
DWG. NO.
A04W1601A

PART NO.

SIZE
A4



REV	DESCRIPTION	DATE	APPROVED
A	新版发行	2020.11.06	HHM



	REEL	CARTON
CONNECTOR (PCS)	1000	7000

CUSTOMER DRAWING			铭创科技(东莞)有限公司 Mingchuang Technology (Dongguan) Co., Ltd.		
UNITS mm	SCALE 1:1	SHEET 2 OF 2	TITLE 防水TYPE C母座16PIN 板上四脚插板SMT L=5.45 双外壳 舌片外露		
PROJECTION: 	DRAW: DAP	CHECK: HWT	MAT'L SEE TABLE	FINISH SEE TABLE	
GENERAL TOLERANCE .000 ±0.02 .00 ±0.10 .0 ±0.20 .0 ±2° .00 ±1°	APPD: HHM	DWG. NO. A04W1601A	PART NO. _____	SIZE A4	