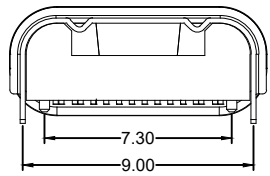
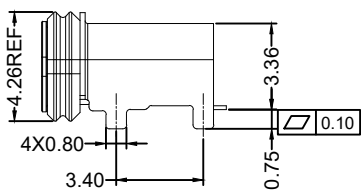
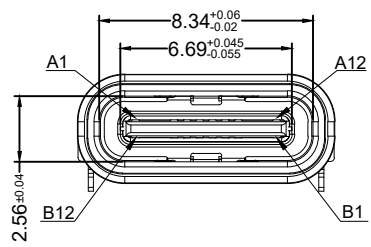
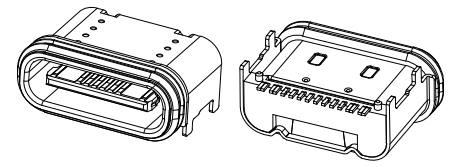
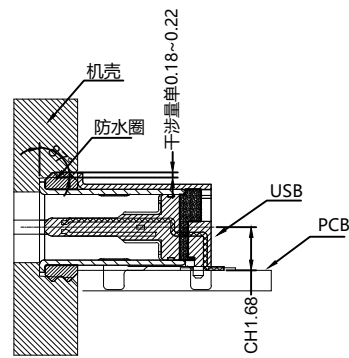
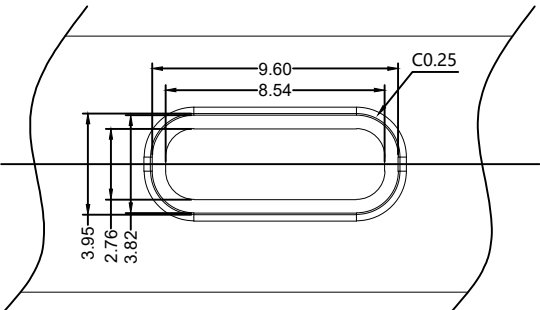
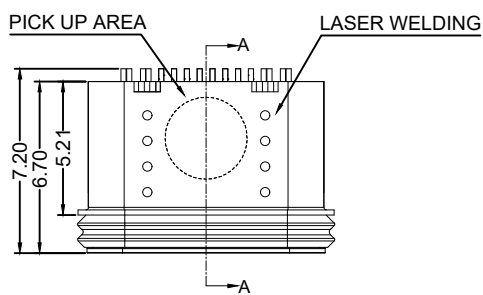




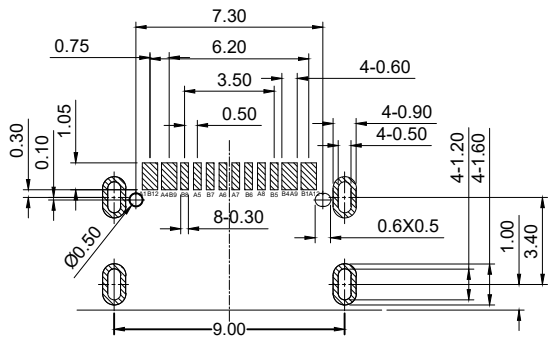
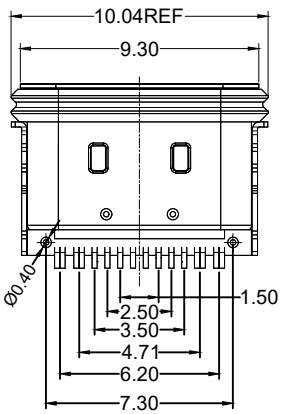
| | | | |
|-----|-------------|------------|----------|
| REV | DESCRIPTION | DATE | APPROVED |
| A | 新板发行 | 2023.05.05 | HHM |



RECOMMENDED ASSEMBLY DRAWING

SPECIFICATION:

- CURRENT RATING: 5.0 A
- VOLTAGE RATING: 5.0 V
- VBUS & GND PINS AND OTHER PINS: 40mΩ/PIN MAX SHIELD: 50mΩ/MAX LLCR MAX. CHANGE OF ALL PINS: 10mΩ
- INSULATION RESISTANCE: 100MΩ MIN
- DIELECTRIC WITHSTAND VOLTAGE, AC 100V FOR 1MINUTE
- INSERTION FORCE: 0.5~2.0kgf
- UNMATING FORCE: 0.8~2.0kgf
- DURABILITY: 10000 CYCLES
- OPERATING TEMPERATURE: -25°C~+85°C
- THE PEAK TEMPERATURE ON THE BOARD SHALL BE MAINTAINED FOR 10 SECONDS AT 260°C
- WATERPROOF: IP68



RECOMMENDED PCB LAYOUT(TOP VIEW)
THICKNESS T=0.8mm

| | | | | | | | | | | | |
|-----|-----|-----|------|------|----|----|------|------|-----|-----|-----|
| A1 | A2 | A3 | A4 | A5 | A6 | A7 | A8 | A9 | A10 | A11 | A12 |
| GND | | | VBUS | CC1 | D+ | D- | SBU1 | VBUS | | | GND |
| B12 | B11 | B10 | B9 | B8 | B7 | B6 | B5 | B4 | B3 | B2 | B1 |
| GND | | | VBUS | SBU2 | D- | D+ | CC2 | VBUS | | | GND |

| | | | |
|-----|-----------------|--------------------------|----------------------------|
| 1 | OUTSHELL | STAINLESS STEEL | SUS304 Ni PLATED |
| 2 | SHELL | STAINLESS STEEL | SUS316 Ni PLATED |
| 3 | MID PLATE | STAINLESS STEEL | SUS301NO PLATED |
| 4 | EMI | STAINLESS STEEL | SUS316 NO PLATED |
| 5 | HOUSING | HIGH TEMPERATURE PLASTIC | PA9T BLACK UL 94 V-0 |
| 6 | CONTACT | COPPER ALLOY(C7025) | Au PLATING ON CONTACT AREA |
| 7 | WATERPROOF RING | SILICA GEL | / |
| NO. | PARTS | MATERIAL | REMARKS |



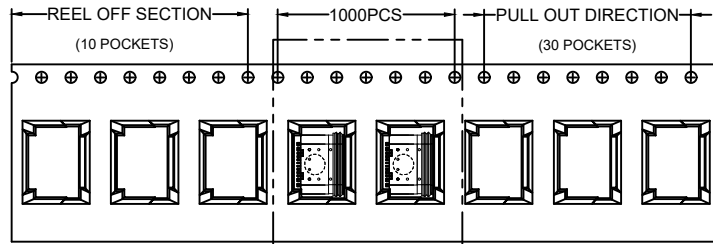
| | | |
|---|--------------------|---------------------|
| CUSTOMER DRAWING | | |
| UNITS mm | SCALE 1:1 | SHEET 1 OF 2 |
| PROJECTION: | DRAW: DAP | |
| GENERAL TOLERANCE .000 ±0.02 .00 ±0.10 .0 ±0.20 .0 ±2° .00 ±1° | CHECK: HWT | MAT'L SEE TABLE |
| | APPD: HHM | FINISH SEE TABLE |
| | DWG. NO. A04W1606B | |

| | |
|---|----------------|
| 铭创科技(东莞)有限公司 Mingchuang Technology (Dongguan) Co., Ltd | |
| TITLE 防水TYPE C母座16PIN 板上四脚插板SMT L=6.7 双外壳 三模 外壳脚长0.75 引脚长0.6 IP68 | |
| DWG. NO. A04W1606B | PART NO. _____ |
| SIZE A4 | |

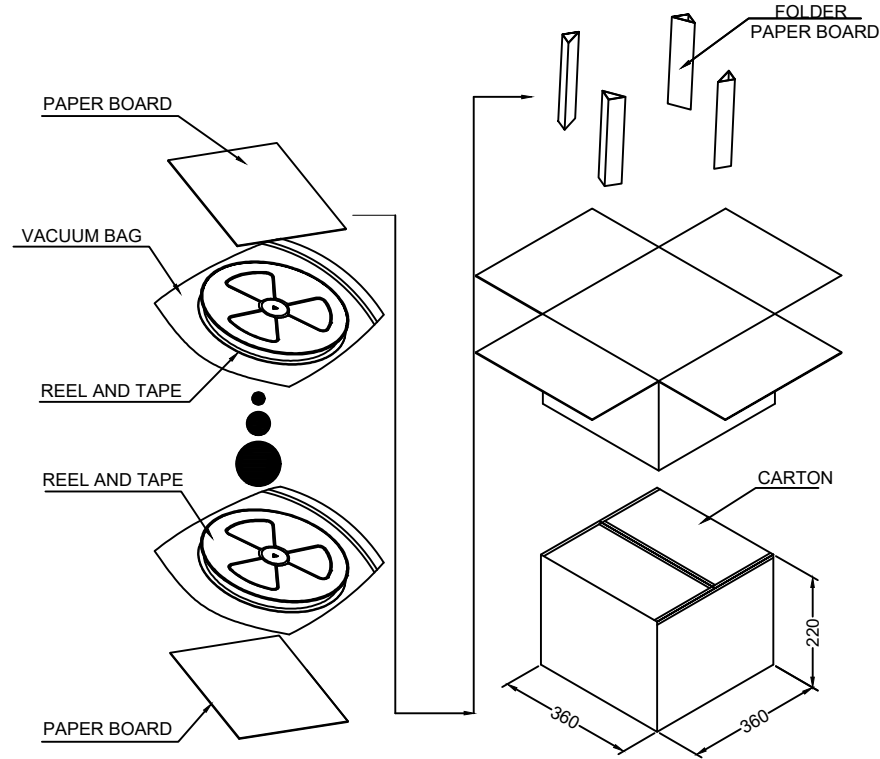
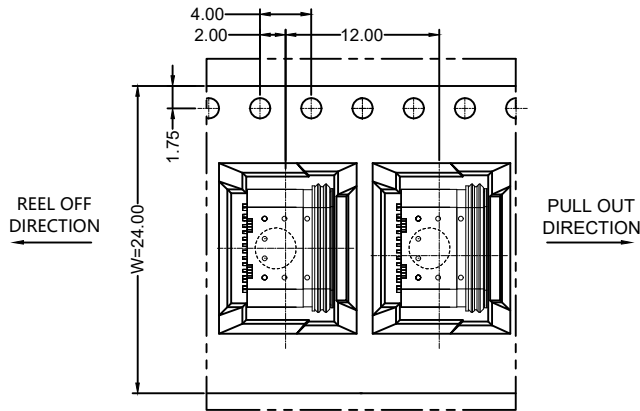
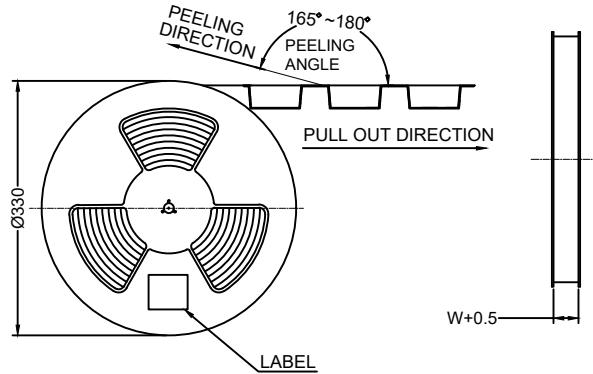


| REV | DESCRIPTION | DATE | APPROVED |
|-----|-------------|------------|----------|
| A | 新板发行 | 2023.05.05 | HHM |

| REV | DESCRIPTION | DATE | CHECK | APPROVAL |
|-----|-------------|------------|-------|----------|
| A0 | NEW RELEASE | 2025/08/30 | MA | PENG |



SEE DETAIL X



| | REEL | CARTON |
|-----------------|------|--------|
| CONNECTOR (PCS) | 1000 | 7000 |

| CUSTOMER DRAWING | | | 铭创科技（东莞）有限公司 | | |
|---|---------------|---|---|------------|--|
| UNITS mm | SCALE 1:1 | SHEET 2 OF 2 | Mingchuang Technology (Dongguan) Co., Ltd | | |
| PROJECTION: | DRAW: DAP | TITLE 防水TYPE C母座16PIN 板上四脚插板SMT L=6.7 双外壳 三模 外壳脚长0.75 引脚长0.6 IP68 | | | |
| GENERAL TOLERANCE .000 ±0.02 .00 ±0.10 .0 ±0.20 .0 ±2° .00 ±1° | CHECK: HWT | MAT'L SEE TABLE | FINISH SEE TABLE | | |
| | APPD: HHM | DWG. NO. A04W1606B | PART NO. | SIZE A4 | |