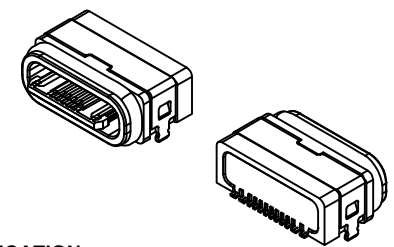
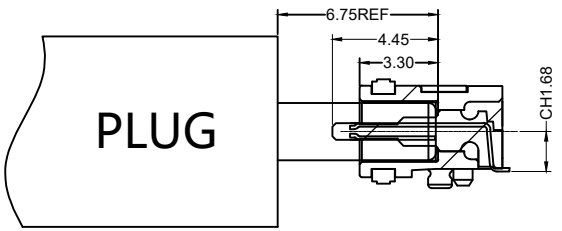
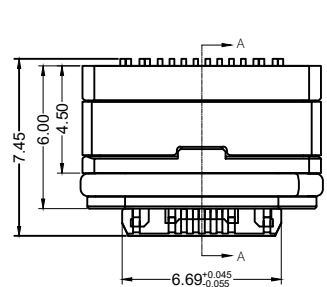
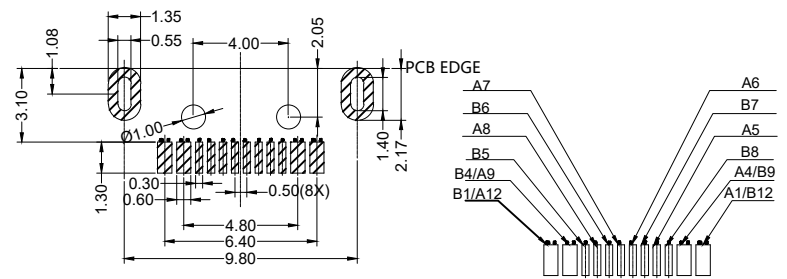
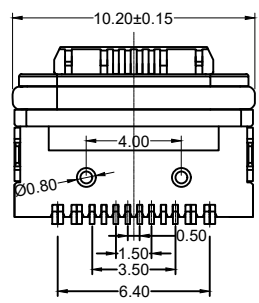
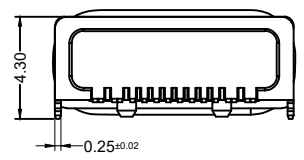
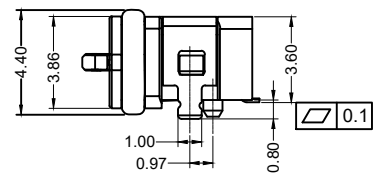
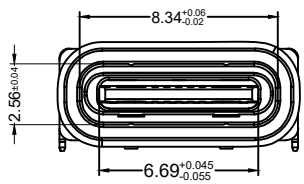




REV	DESCRIPTION	DATE	APPROVED
A	新版发行	2020. 11. 06	HHM



- SPECIFICATION:**
- CURRENT RATING: 5.0 A
  - VOLTAGE RATING: 5.0 V
  - VBUS & GND PINS AND OTHER PINS: 40mΩ/PIN MAX SHIELD: 50mΩ/MAX LLCR MAX. CHANGE OF ALL PINS: 10mΩ
  - INSULATION RESISTANCE: 100MΩ MIN
  - DIELECTRIC WITHSTAND VOLTAGE, AC 100V FOR 1MINUTE
  - INSERTION FORCE: 0.5~2.0kgf
  - UNMATING FORCE: 0.8~2.0kgf
  - DURABILITY: 10000 CYCLES
  - OPERATING TEMPERATURE: -25°C~+85°C
  - THE PEAK TEMPERATURE ON THE BOARD SHALL BE MAINTAINED FOR 10 SECONDS AT 260°C
  - WATERPROOF: IPX7



A1	A2	A3	A4	A5	A6	A7	A8	A9	A10	A11	A12
GND			VBUS	CC1	D+	D-	SBU1	VBUS			GND
B12	B11	B10	B9	B8	B7	B6	B5	B4	B3	B2	B1
GND			VBUS	SBU2	D-	D+	CC2	VBUS			GND

RECOMMENDED PCB LAYOUT  
TOLERANCE: ±0.05



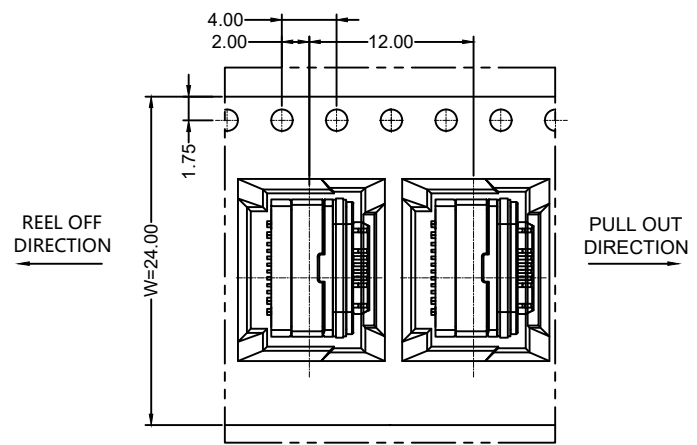
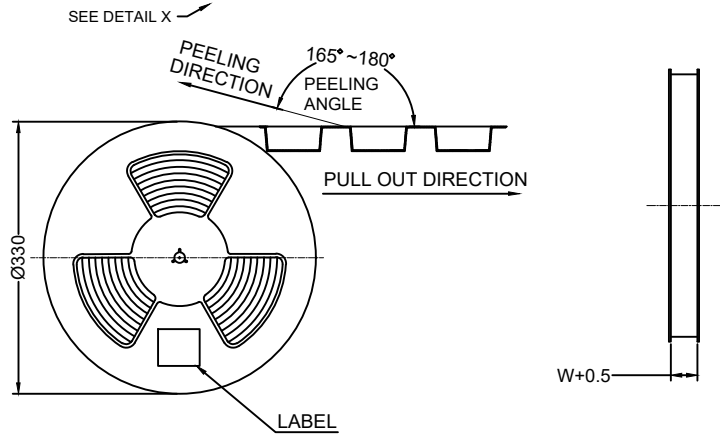
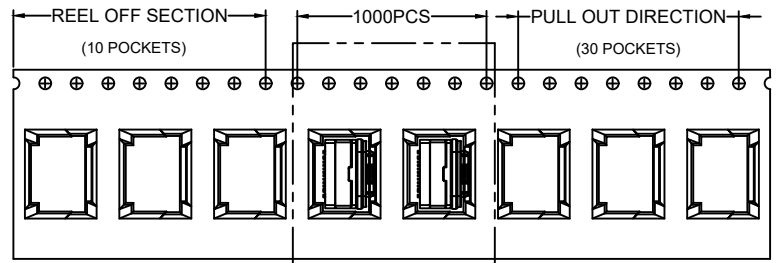
NO. PARTS	MATERIAL	REMARKS
1	SHELL	HIGH TEMPERATURE PLASTIC PA46 BLACK UL94V-0
2	MID PLATE	STAINLESS STEEL SUS304 NO PLATED
3	HOUSING	HIGH TEMPERATURE PLASTIC PA9T BLACK UL94V-0
4	CONTACT	COPPER ALLOY(C7025) Au PLATING ON CONTACT AREA
5	RING	SILICON
6	OUT SHELL	STAINLESS STEEL SUS304 NI PLATED

CUSTOMER DRAWING		
UNITS mm	SCALE 1:1	SHEET 1 OF 2
PROJECTION: 	DRAW: DAP	CHECK: HWT
GENERAL TOLERANCE 0. ±0.35 0.0 ±0.25 0.00 ±0.15 0.° ±4° 0.0° ±3°	APPD: HHM	

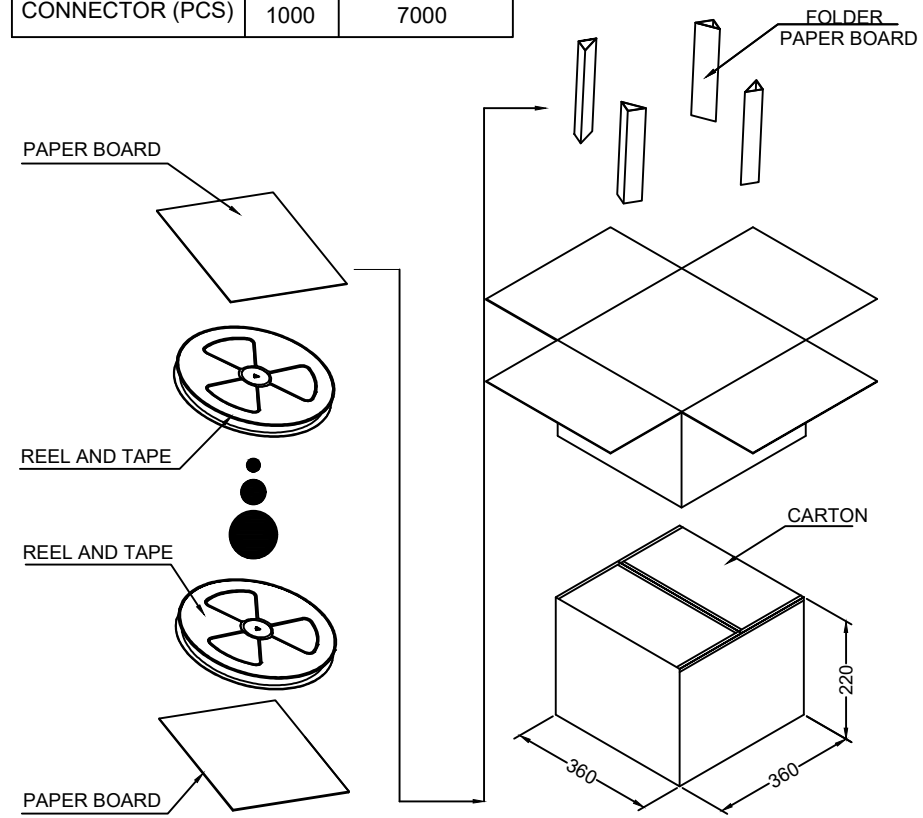
铭创科技(东莞)有限公司 Mingchuang Technology (Dongguan) Co., Ltd.		
TITLE 防水TYPEC母座16PIN 板上两脚插板SMT L=6.0		
MAT'L SEE TABLE	FINISH SEE TABLE	
DWG. NO. A04W1607A	PART NO.	SIZE A4



REV	DESCRIPTION	DATE	APPROVED
A	新版发行	2020.11.06	HHM



	REEL	CARTON
CONNECTOR (PCS)	1000	7000



CUSTOMER DRAWING		
UNITS mm	SCALE 1:1	SHEET 1 OF 2
PROJECTION: 	DRAW: DAP	
GENERAL TOLERANCE 0. ±0.35 0.0 ±0.25 0.00 ±0.15 0.° ±4° 0.0° ±3°	CHECK: HWT	APPD: HHM

铭创科技（东莞）有限公司 Mingchuang Technology (Dongguan) Co., Ltd.		
TITLE 防水TYPEC母座16PIN 板上两脚插板SMT L=6.0		
MAT'L SEE TABLE	FINISH SEE TABLE	
DWG. NO. A04W1607A	PART NO. _____	SIZE A4