

REV	DESCRIPTION	DATE	APPROVED

- SPECIFICATION:**
- CURRENT RATING: 5.0 A
  - VOLTAGE RATING: 24.0 V
  - VBUS & GND PINS AND OTHER PINS: 40mΩ/PIN MAX  
SHIELD: 50mΩ/MAX  
LLCR MAX. CHANGE OF ALL PINS: 10mΩ
  - INSULATION RESISTANCE: 100MΩ MIN
  - DIELECTRIC WITHSTAND VOLTAGE, AC 100V FOR 1MINUTE
  - INSERTION FORCE: 0.5~2.0kgf
  - UNMATING FORCE: 0.8~2.0kgf
  - DURABILITY: 10000 CYCLES
  - OPERATING TEMPERATURE: -25°C~+85°C
  - THE PEAK TEMPERATURE ON THE BOARD SHALL BE MAINTAINED FOR 10 SECONDS AT 260°C

A

A

B

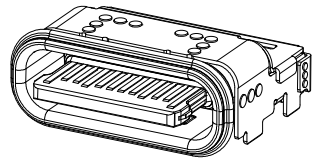
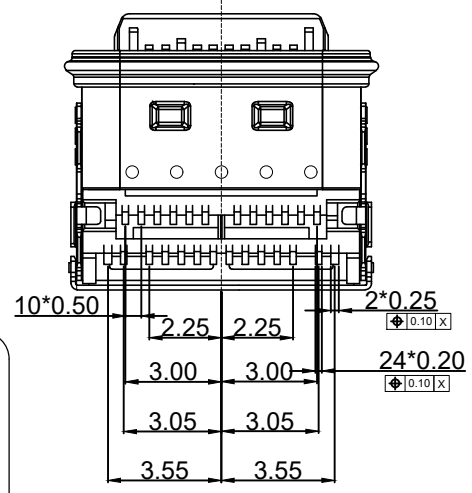
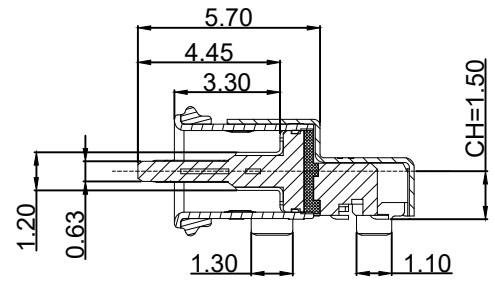
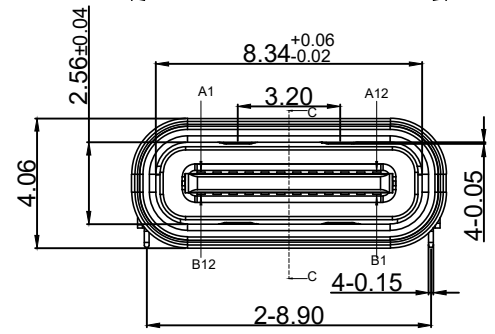
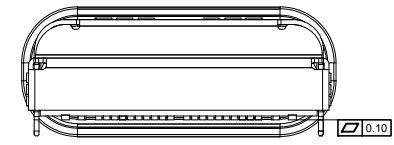
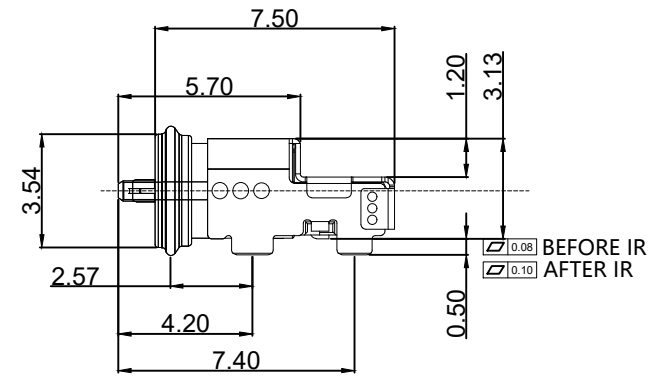
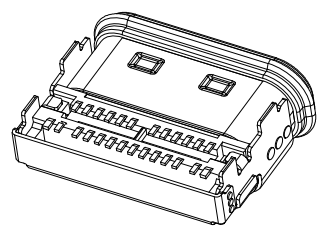
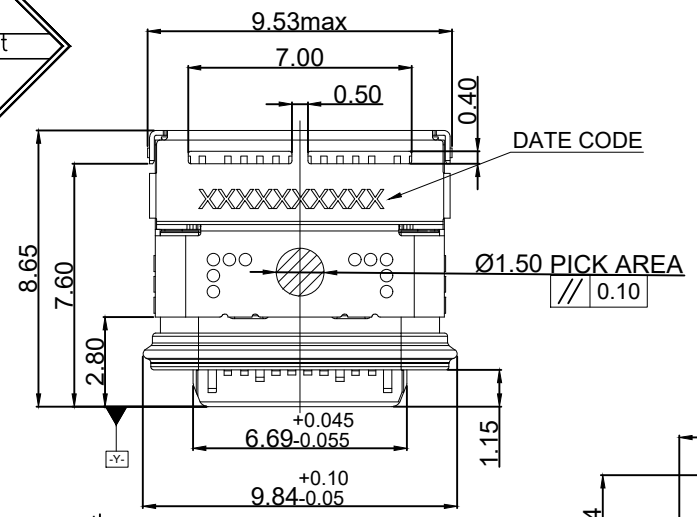
B

C

C

D

D



A1	A2	A3	A4	A5	A6	A7	A8	A9	A10	A11	A12
GND	SSTXP1	SSTXN1	VBUS	CC1	D+	D-	SBU1	VBUS	SSRXN2	SSRXP2	GND
B12	B11	B10	B9	B8	B7	B6	B5	B4	B3	B2	B1
GND	SSRXP1	SSRXN1	VBUS	SBU2	D-	D+	CC2	VBUS	SSTXN2	SSTXP2	GND



<b>CUSTOMER DRAWING</b>			<b>铭创科技（东莞）有限公司</b>		
UNITS mm	SCALE 1:1	SHEET 1/3	TITLE 防水TYPE C母座24PIN 板上双排贴片 L=8.65 IPX8舌片外漏		
PROJECTION: 	DRAW: DAP		MAT'L SEE TABLE	FINISH SEE TABLE	
GENERAL TOLERANCE 0. ±0.35 0.0 ±0.25 0.00 ±0.15 0.° ±4° 0.0° ±3°	CHECK: HWT		DWG. NO. A04W2404A	PART NO. _____	SIZE A4
APPD: HHM					

1

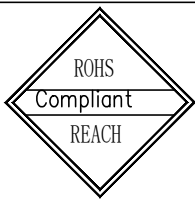
2

3

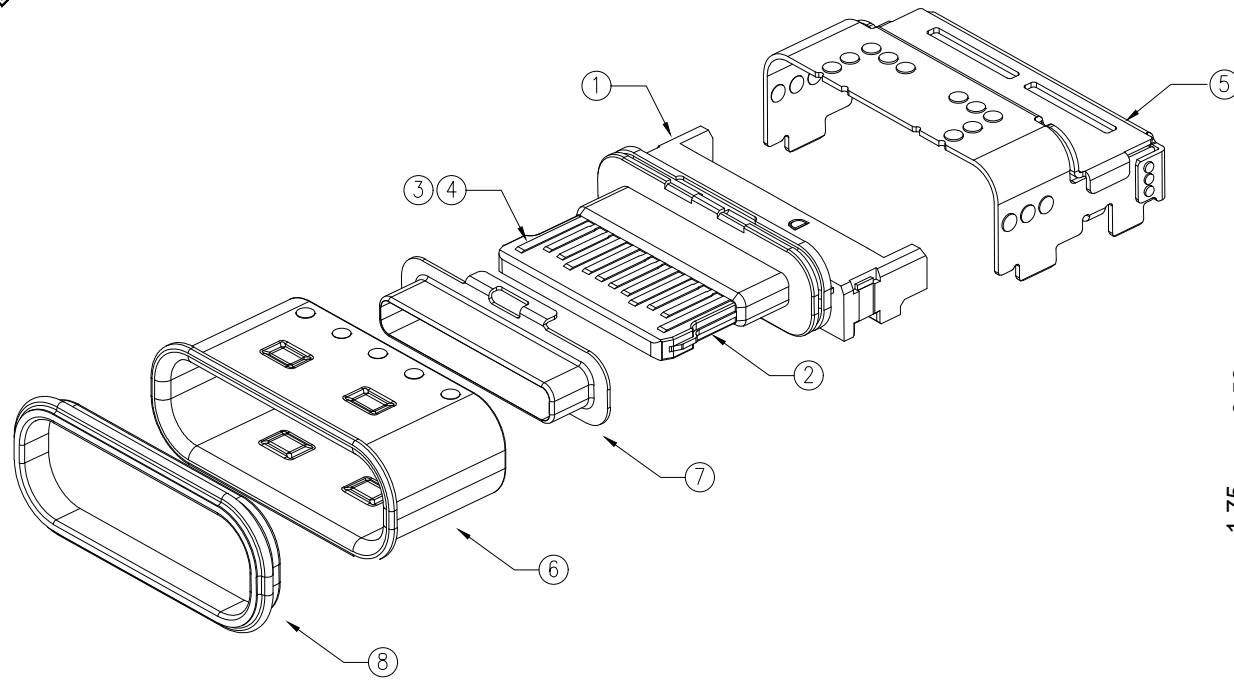
4

5

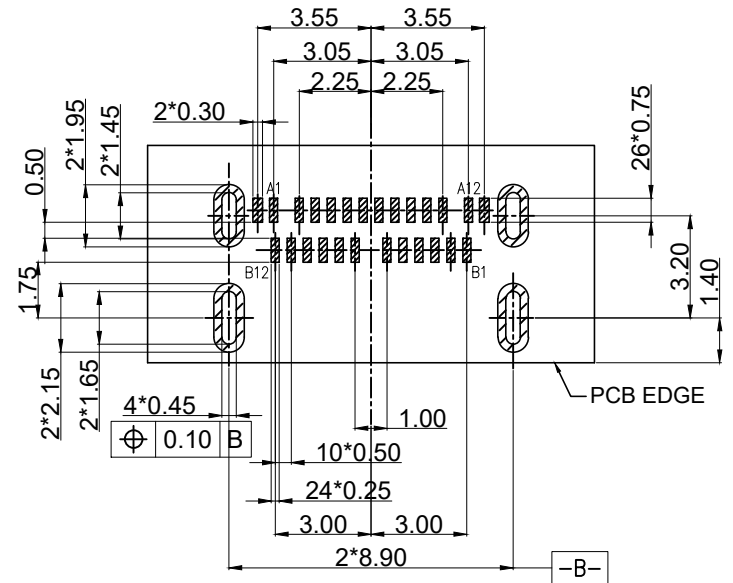
6



REV	DESCRIPTION	DATE	APPROVED



Explode View



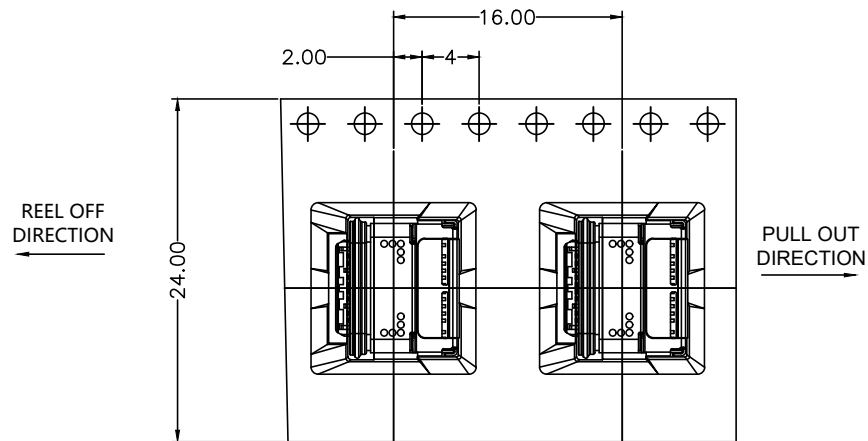
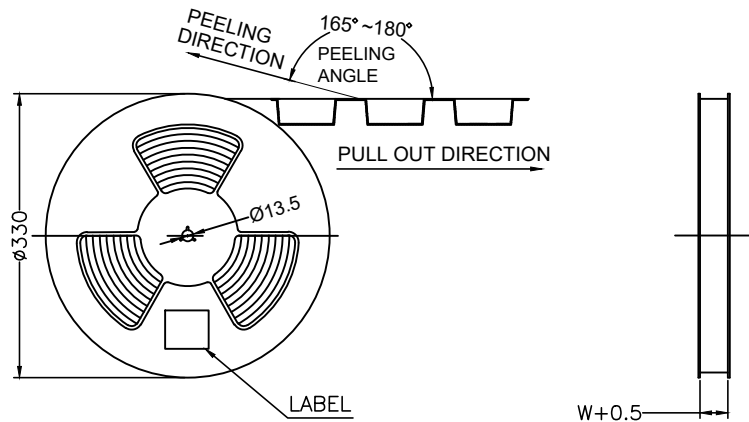
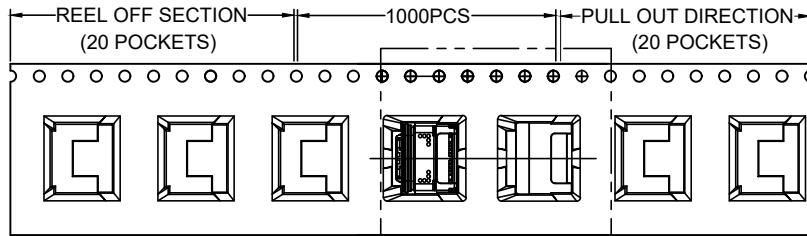
RECOMMENDED PCB LAYOUT  
(Tolerance=±0.05)

NO.	PARTS	MATERIAL	REMARKS
8	LIM	CHN-LIMS	BLACK
7	SMALL SHELL	STAINLESS STEEL	NI PLATED OR CLEANING
6	MAIN SHELL	STAINLESS STEEL	NI PLATED OR CLEANING
5	OUTOR SHELL	STAINLESS STEEL	SOLDER NICKEL: 30U" MIN
4	MID PLATE	STAINLESS STEEL	NICKEL: 30U" MIN
3	BOTTOM TERMINAL	COPPER ALLOY	MATING AREA : Au15u"MIN SOLDER TAIL: Au 5u", 50~150u" NICKEL OVERALL.
2	TOP TERMINAL	COPPER ALLOY	MATING AREA : Au 15u"MIN SOLDER TAIL: Au 5u", 50~150u" NICKEL OVERALL.
1	MOLDING HOUSING	HIGH TEMPERATURE PLASTIC	BLACK

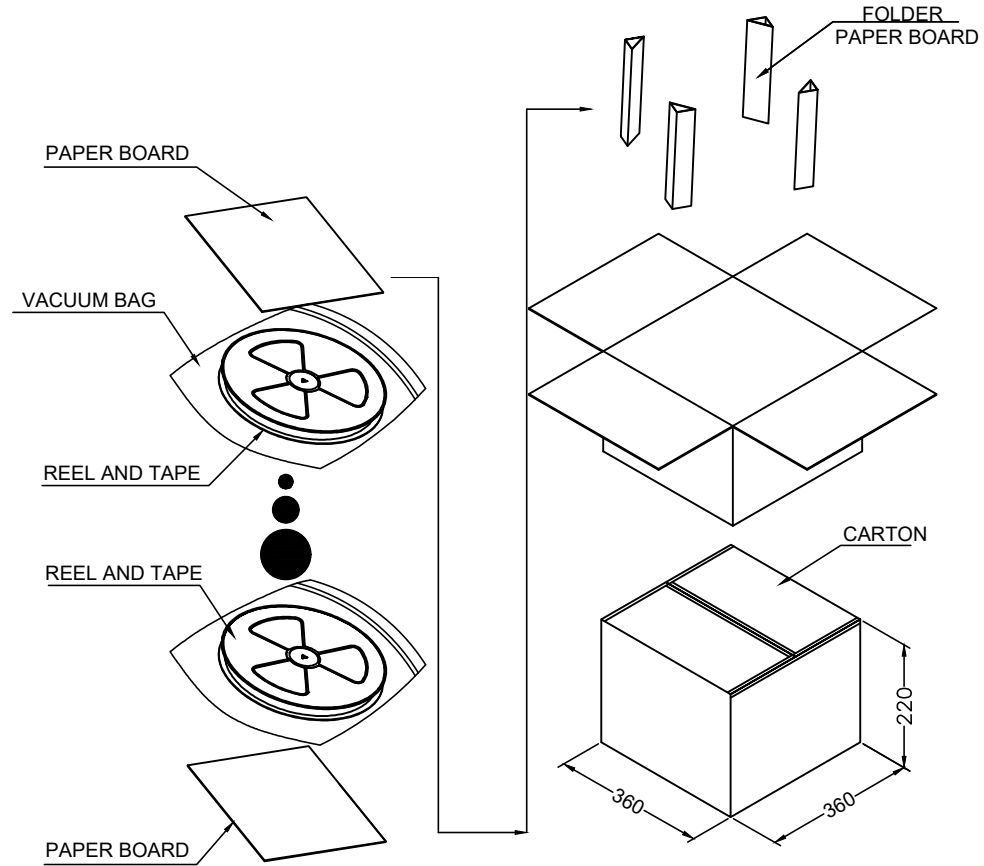
CUSTOMER DRAWING			铭创科技（东莞）有限公司		
UNITS mm	SCALE 1:1	SHEET 2/3	TITLE 防水TYPE C母座24PIN 板上双排贴片 L=8.65 IPX8舌片外漏		
PROJECTION: 	DRAW: DAP	CHECK: HWT	MAT'L SEE TABLE	FINISH SEE TABLE	
GENERAL TOLERANCE 0. ±0.35 0.0 ±0.25 0.00 ±0.15 0.° ±4° 0.0° ±3°	APPD: HHM	DWG. NO. A04W2404A	PART NO.	SIZE A4	



	REEL	CARTON
CONNECTOR (PCS)	1000	8000



REV	DESCRIPTION	DATE	APPROVED



CUSTOMER DRAWING			铭创科技（东莞）有限公司		
UNITS mm	SCALE 1:1	SHEET 3/3	TITLE 防水TYPE C母座24PIN 板上双排贴片 L=8.65 IPX8舌片外漏		
PROJECTION: 		DRAW: DAP	MAT'L SEE TABLE	FINISH SEE TABLE	
GENERAL TOLERANCE 0. ±0.35 0.0 ±0.25 0.00 ±0.15 0.° ±4° 0.0° ±3°		CHECK: HWT	DWG. NO. <b>A04W2404A</b>		PART NO. _____
		APPD: HHM	SIZE A4		