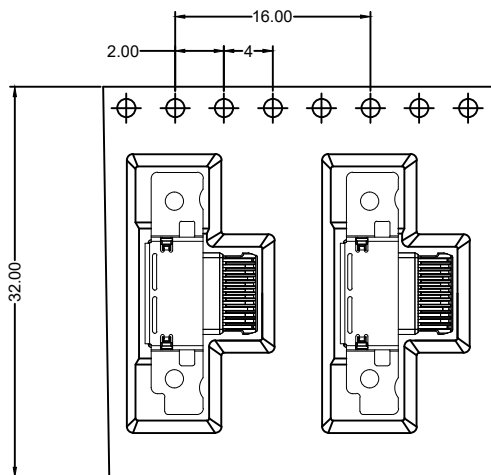
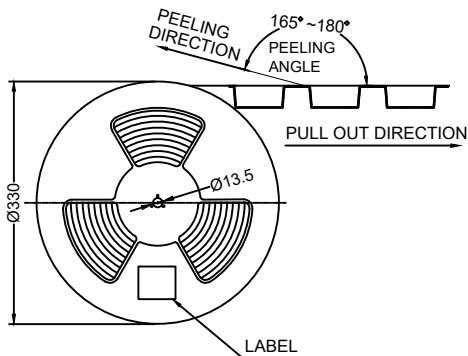
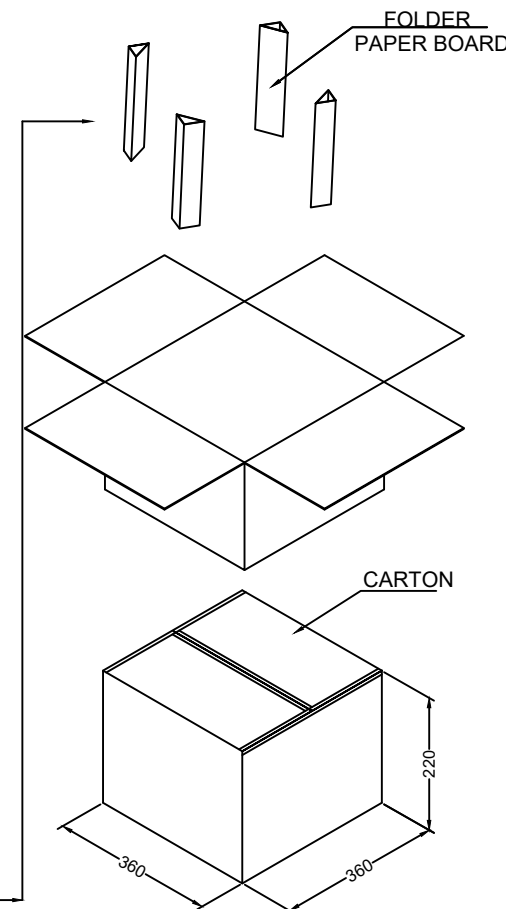
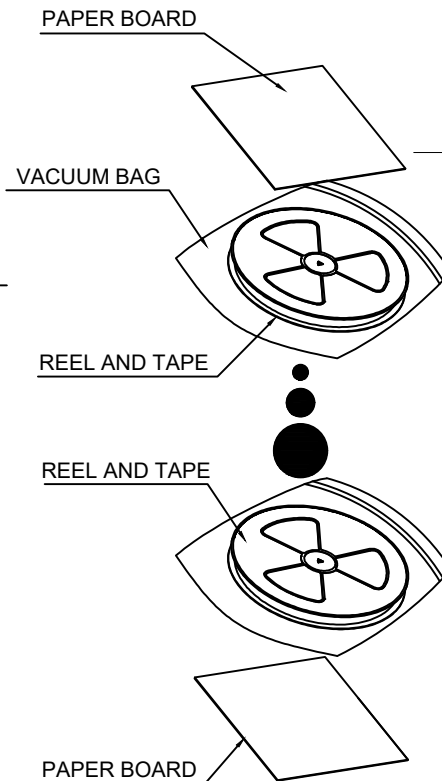


SEE DETAIL X



RoHS
Compliant
2002/95/EC

REV	DESCRIPTION	DATE	APPROVED
A	新版发行	2020. 11. 06	HHM



	REEL	CARTON
CONNECTOR (PCS)	1500	9000

CUSTOMER DRAWING		
UNITS mm	SCALE 1:1	SHEET 2 OF 2
PROJECTION: 	DRAW: DAP	
GENERAL TOLERANCE .000 ±0.02 .00 ±0.10 .0 ±0.20 .0 ±2° .00 ±1°	CHECK: HWT	
	APPD: HHM	

铭创科技（东莞）有限公司 Mingchuang Technology (Dongguan) Co., Ltd.		
TITLE TYPE C母座24PIN 沉板超薄款 露舌带锁孔 CH=0.25		
MAT'L SEE TABLE	FINISH SEE TABLE	
DWG. NO. A042401A	PART NO. _____	SIZE A4