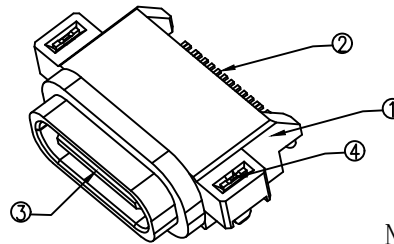
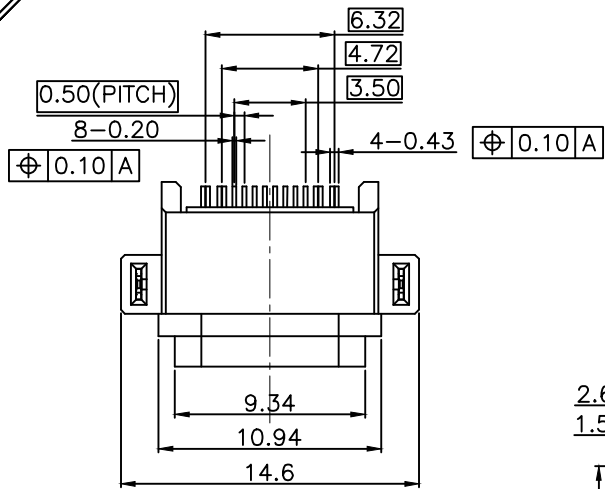


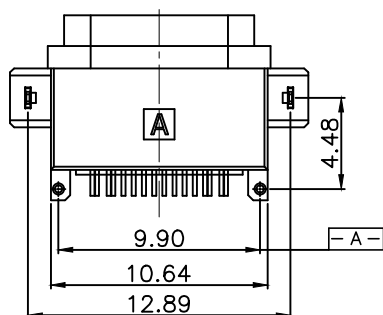
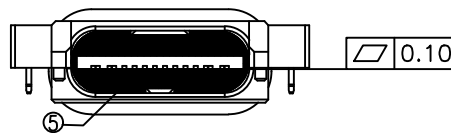
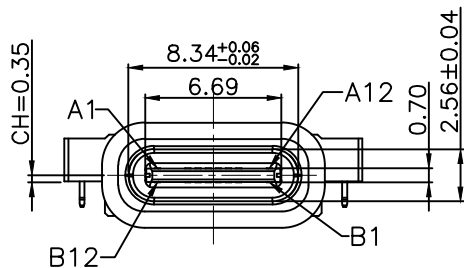
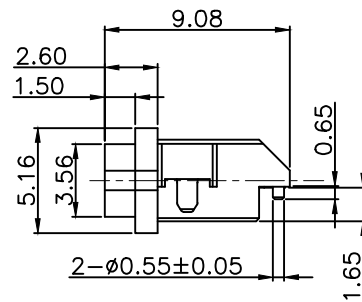


REV	DESCRIPTION	DATE	APPROVED
A	新版发行	2018.09.26	HHM



NOTES:
SPECIFICATION:

- CURRENT RATING: 3.0A MAX
- DIELECTRIC WITHSTAND VOLTAGE: 100VAC
- TEMPERATURE RANGE: -30 ° C ~ 85 ° C
- CONTACT RESISTANCE: 40 MILLIONHM MAX
- INSULATION RESISTANCE: 100 MEGOHMS MIN.
- INSERTION FORCE : 5N~20N
- UNMATING FORCE: 8N~20N
- DURABILITY: 10,000 CYCLES

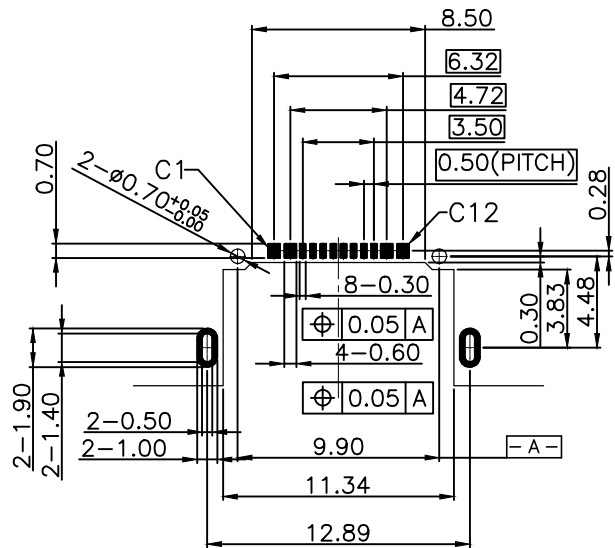


5	Epoxy			BLACK
4	Contact 3	2	SUS304 1/2H	Ni Plating T=0.25mm
3	Housing 2	1	PA10T (G. F30%)	BLACK
2	Contact 1&2	16	Phosphor bronze C5191R-EH	Au3u"Plating T=0.15mm
1	Housing 1	1	PA10T (G. F30%)	BLACK
ITEM	PART NAME	Q' TY	FINISH	NOTE

CUSTOMER DRAWING			铭创科技(东莞)有限公司 Mingchuang Technology (Dongguan) Co., Ltd.		
UNITS mm	SCALE 1:1	SHEET 1 OF 2	TITLE 防水TYPE C母座16PIN 沉板1.65 两脚插板SMT L=9.0 全塑		
PROJECTION: 	DRAW: DAP		MAT'L SEE TABLE		
GENERAL TOLERANCE X. ±0.50 .X ±0.30 .XX ±0.20 X.° ±2° .X° ±1°		CHECK: HWT	FINISH SEE TABLE		
		APPD: HHM	DWG. NO. B09W1606A	PART NO. _____	SIZE A4

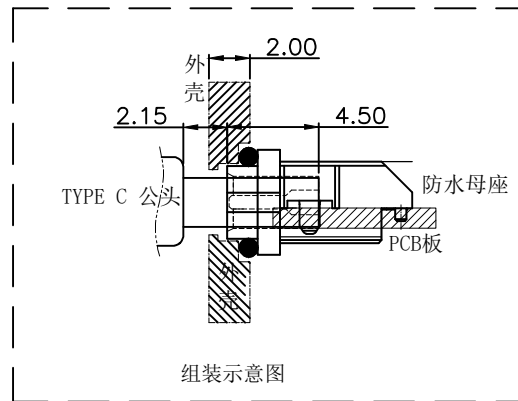
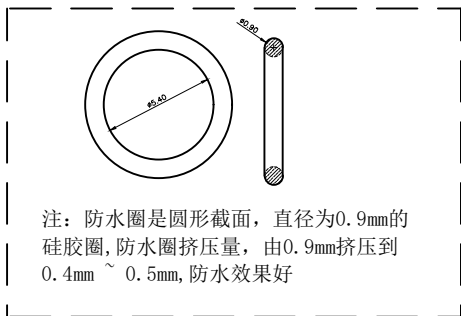


REV	DESCRIPTION	DATE	APPROVED
A	新版发行	2018.09.26	HHM



RECOMMENDED PCB LAYOUT (TOP VIEW)

THICKNESS T=1.0mm
DEFAULT TOLERANCE+/-0.05



INTERFACE(FRONT VIEW)

A1	A2	A3	A4	A5	A6	A7	A8	A9	A10	A11	A12
GND			VBUS	CC1	DP1	DN1	SBU1	VBUS			GND
GND			VBUS	SBU2	DN2	DP2	CC2	VBUS			GND
B12	B11	B10	B9	B8	B7	B6	B5	B4	B3	B2	B1

PIN ASSIGNMENT

PIN NO.	A1&B12	A4&B9	B8	A5	B7	A6	A7	B6	A8	B5	A9&B4	A12&B1
SINGAL NAME	GND	VBUS	SBU2	CC1	DN2	DP1	DN1	DP2	SBU1	CC2	VBUS	GND
PCB PAD NO.	C1	C2	C3	C4	C5	C6	C7	C8	C9	C10	C11	C12

CUSTOMER DRAWING			铭创科技（东莞）有限公司 Mingchuang Technology (Dongguan) Co., Ltd.		
UNITS mm	SCALE 1:1	SHEET 2 OF 2	TITLE 防水TYPE C母座16PIN 沉板1.65 两脚插板SMT L=9.0 全塑		
PROJECTION: 	DRAW: DAP		MAT'L SEE TABLE		FINISH SEE TABLE
GENERAL TOLERANCE X. ±0.50 .X ±0.30 .XX ±0.20 X.° ±2° .X° ±1°		CHECK: HWT	DWG. NO. B09W1606A		PART NO. _____
		APPD: HHM	SIZE A4		