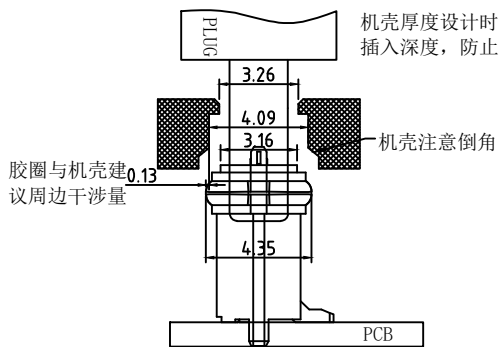
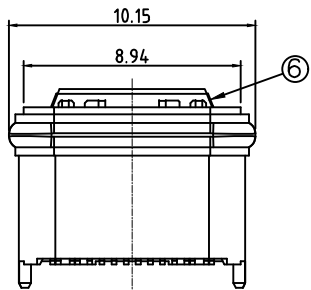
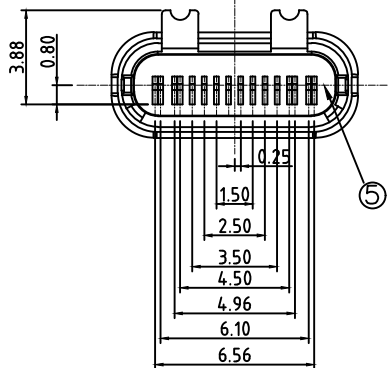


RECOMMENDED PCB LAYOUT(TOP VIEW)
DEFAULT TOLERANCE:±0.05



组装建议图

机壳厚度设计时注意PLUG的插入深度,防止插不到位。

机壳注意倒角

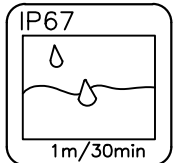
胶圈与机壳建议周边干涉量

USB TYPE-C PIN ASSIGNMENTS

PIN NUMBER	SIGNAL NAME	PIN NUMBER	SIGNAL NAME
A1	GND	B12	GND
A4	VBUS	B9	VBUS
A5	CC1	B8	SBU2
A6	Dp1	B7	Dn2
A7	Dn1	B6	Dp2
A8	SBU1	B5	CC2
A9	VBUS	B4	VBUS
A12	GND	B1	GND

REV	DESCRIPTION	DATE	APPROVED
A	新版发行	2020.11.06	HHM

- MATERIAL SPECIFICATION:
 - HOUSING:HIGH TEMPERATURE RESISTANT PLASTIC,UL94 V-0.
 - CONTACTS:COPPER ALLOY
 - MID PLATE: STAINLESS STEEL
 - FRONT SHELL: STAINLESS STEEL
- MECHANICAL PERFORMANCE,
 - INSERTION FORCE: 5~20N.
 - REMOVAL FORCE: 6~20N.
 - DURABILITY: 10000 CYCLES.
- ELECTRICAL PERFORMANCE,
 - CURRENT RATING:3.0A
VOLTAGE RATING:12V
 - LLCR:
VBUS & GND PINS AND OTHER PINS: 40mΩ/PIN MAX.
SHIELD: 50mΩ/MAX.
 - INSULATION RESISTANCE: 100MΩ MIN
DIELECTRIC WITHSTAND VOLTAGE,AC 100V FOR 1 MINUTE.
- ENVIRONMENTAL PERFORMANCE:
 - OPERATING TEMPERATURE: -25°C~+85°C.
 - IR REFLOW:
THE PEAK TEMPERATURE ON THE BOARD SHALL BE MAINTAINED FOR 10 SECONDS AT 260°C.



NO.	DESCRIPTION	MATERIAL	REMARKS	QTY
6	SHIELDING PLATE	STAINLESS STEEL		1PCS
5	Epoxy		BLACK	
4	O RING	SILICA GEL	White	1PCS
3	CONTACT	COPPER ALLOY	AU On Contact Area And Solder Tail Area, All over Nickel Plated	16SET
2	SHELL	zinc alloy	NI Plated	1PCS
1	HOUSING	HIGH TEMPERATURE PLASTIC	BLACK	1PCS

CUSTOMER DRAWING

UNITS mm	SCALE 1:1	SHEET 1 OF 1
PROJECTION: 	DRAW: DAP	
GENERAL TOLERANCE	CHECK: HWT	
.000 ±0.02	APPD: HHM	
.00 ±0.10		
.0 ±0.20		
.0 ±2°		
.00 ±1°		

铭创科技(东莞)有限公司 Mingchuang Technology (Dongguan) Co., Ltd.		
TITLE 防水TYPE C母座16PIN 立式两脚插板SMT L=6.5 舌片外露 带贴板脚 锌合金		
MAT'L SEE TABLE	FINISH SEE TABLE	
DWG. NO. B09W1609A	PART NO.	SIZE A4