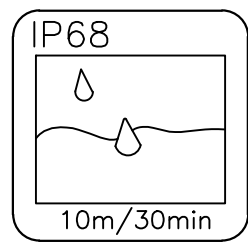
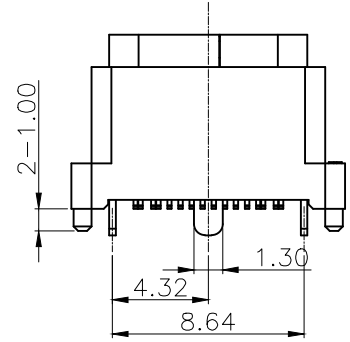
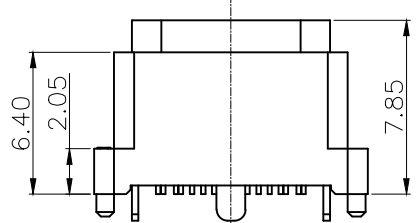
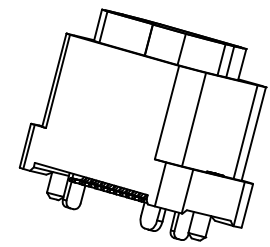
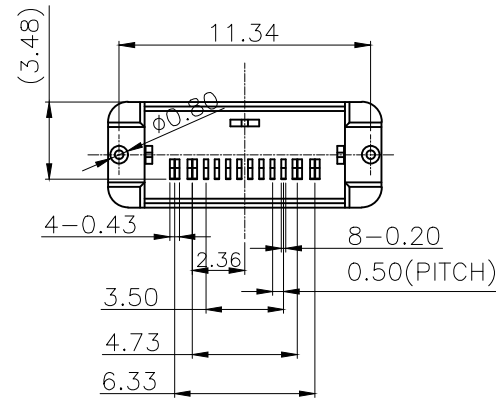
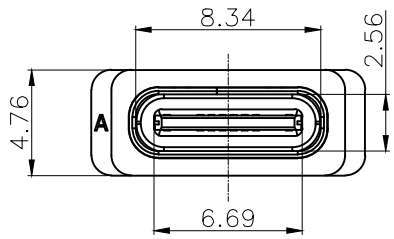


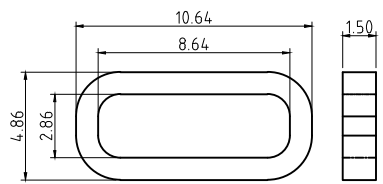
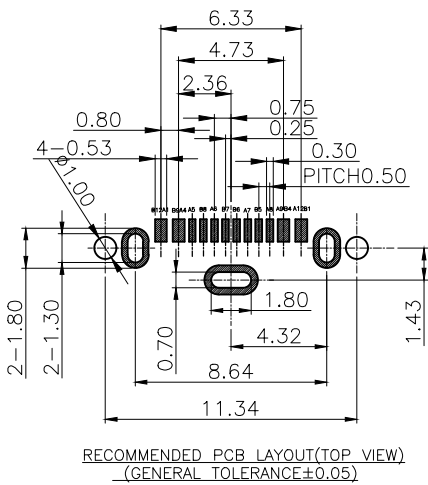
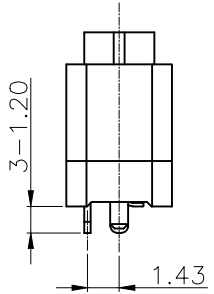


REV	DESCRIPTION	DATE	APPROVED
A	新板发行	2020. 11. 06	HHM

- NOTES:  
SPECIFICATION:
- CURRENT RATING: 3.0A MAX
  - DIELECTRIC WITHSTAND VOLTAGE: 100VAC
  - TEMPERATURE RANGE: -30 °C ~ 85 °C
  - CONTACT RESISTANCE: 40 MILLIONHM MAX
  - INSULATION RESISTANCE: 100 MEGOHMS MIN.
  - INSERTION FORCE : 5N~20N
  - UNMATING FORCE: 8N~20N
  - DURABILITY:10,000 CYCLES



A1	GND	B12	GND
A4	VBUS	B9	VBUS
A5	CC1	B8	SBU2
A6	DP1	B7	DN2
A7	DN1	B6	DP2
A8	SBU1	B5	CC2
A9	VBUS	B4	VBUS
A12	GND	B1	GND
PIN	SIGNAL NAME	PIN	SIGNAL NAME



6	防水圈	硅胶	BLACK	1PCS
5	SHELL	STAINLESS STEEL	Ni Plated	1PCS
4	SHIELDING PLATE	STAINLESS STEEL	Ni Plated	1PCS
3	CONTACT	COPPER ALLOY	Au/Ni Plated	1SET
2	SHELL HOUSING	HIGH TEMPERATURE PLASTIC	BLACK	1PCS
1	HOUSING	HIGH TEMPERATURE PLASTIC	BLACK	1PCS
NO.	DESCRIPTION	MATERIAL	REMARKS	QTY

CUSTOMER DRAWING			铭创科技(东莞)有限公司 Mingchuang Technology (Dongguan) Co., Ltd.	
UNITS mm	SCALE 1:1	SHEET 1 OF 2	TITLE 防水TYPE C母座16PIN 立式四脚插板SMT L=7.85 全塑	
PROJECTION: 	DRAW: DAP	CHECK: HWT	MAT'L SEE TABLE	FINISH SEE TABLE
GENERAL TOLERANCE 0. ±0.50 0.0 ±0.30 0.00 ±0.20 0.° ±2° 0.0° ±1°	APPD: HHM	DWG. NO. B09W1610A	PART NO. _____	SIZE A4