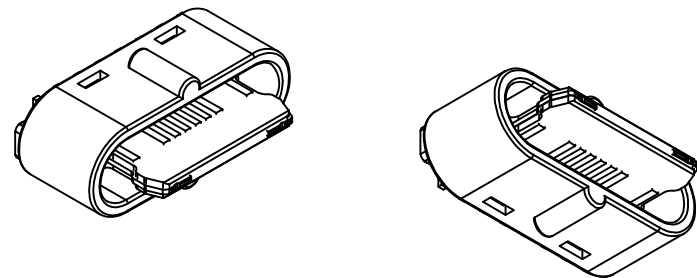




REV	DESCRIPTION	DATE	APPROVED
A	新板发行	2023.05.05	HHM



NOTE:
备注:

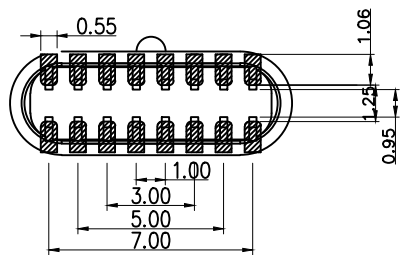
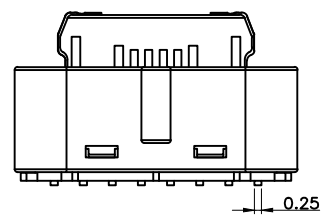
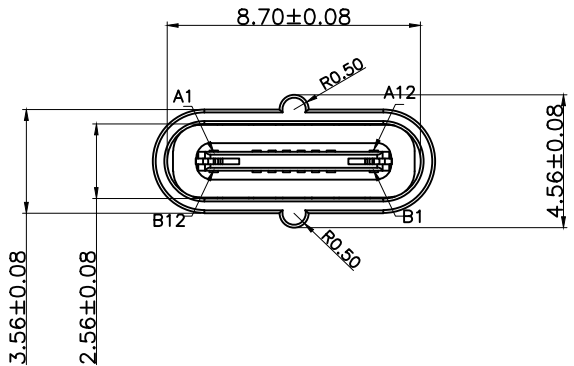
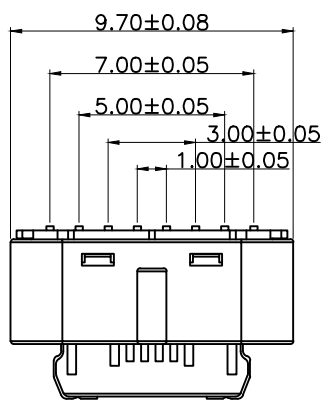
1.MATERIAL SPECIFICATION:
1.材料规格:
1-1.HOUSING:HIGH TEMPERATURE RESISTANT PLASTIC,UL94 V-0.
1-1.胶芯材料:高温塑胶,防火等级UL94 V-0
1-2.TERMINAL: COPPER ALLOY
1-2.端子材料:铜合金
1-3.FRONT SHELL: PA 9T
1-3.护套外壳:尼龙9T 防火等级UL94 V-0
1-4.MID PLATE: STAINLESS STEEL
1-4.中夹片:不锈钢

2.PLATING SPECIFICATION:
2.电镀规格:
2-1.TERMINAL:
2-1.端子:
Ni 30-50u" MIN. UNDER PLATED OVER ALL.
镀镍底 30-50u" MIN.
Au PLATED 0.5~1u" OVER Ni
表面刷金0.5~1u"
2-2.FRONT SHELL:
2-2.外壳:
Ni 30-50u" MIN. PLATED OVER ALL.
镀镍底 30-50u" MIN.

3.MECHANICAL PERFORMANCE,
3.机械性能,
3-1.INSERTION FORCE: 0.8~2.0kgf.
3-1.插入力: 0.8~2.0kgf.
3-2.REMOVAL FORCE: 0.8kgf~2.0kgf.
3-2.拔出力: 0.8kgf~2.0kgf.
3-3.DURABILITY: 10000 CYCLES.
3-3.插拔寿命: 10000次.

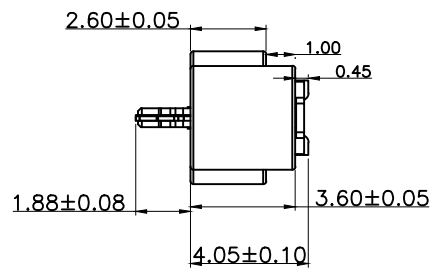
4.ELECTRICAL PERFORMANCE,
4.电气性能,
4-1. VOLTAGE RATING: 20V DC/AC
4-1. 额定电压: 20V DC/AC
CURRENT RATING: 5A
额定电流: 5.0A
4-2. LLCR: 50mΩ/PIN MAX.
4-2. 接触阻抗: 50mΩ/PIN MAX.
4-3.INSULATION RESISTANCE: 100MΩ MIN
4-3. 绝缘阻抗: 100MΩ MIN
4-4.DIELECTRIC WITHSTAND VOLTAGE,AC 100V FOR 1 MINUTE.
4-4. 耐电压: AC 100V FOR 1 MINUTE.

5. ENVIRONMENTAL PERFORMANCE:
5. 环境特性:
OPERATING TEMPERATURE: -25°C~+85°C.
工作温度: -25°C~+85°C.



RECOMMENDED P.C.B LAYOUT
TOLERANCE UNSPECIFIED ±0.05mm

炉前



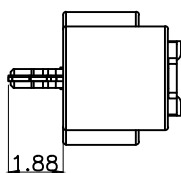
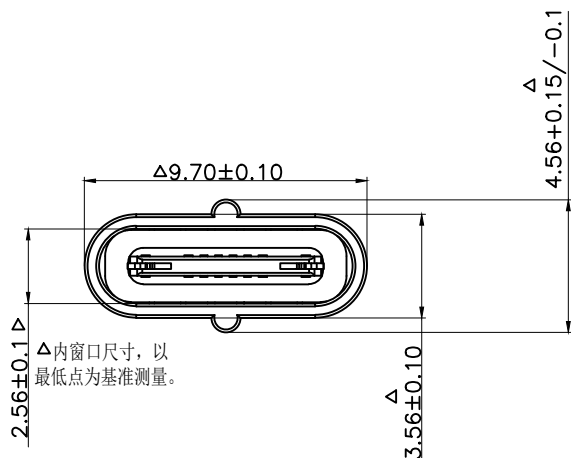
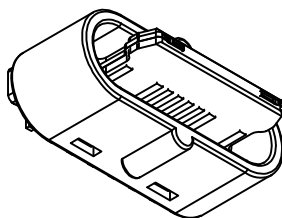
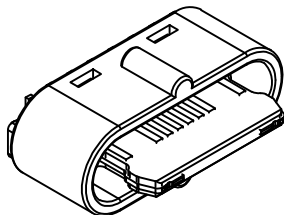
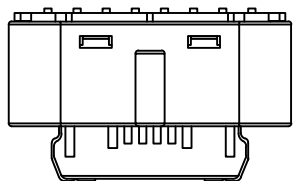
A1	GND	B12	GND
A4	VBUS	B9	VBUS
A5	CC1	B8	SBU2
A6	DP1	B7	DN2
A7	DN1	B6	DP2
A8	SBU1	B5	CC2
A9	VBUS	B4	VBUS
A12	GND	B1	GND
PIN	SIGNAL NAME	PIN	SIGNAL NAME

CUSTOMER DRAWING		
UNITS	SCALE	SHEET
mm	1:1	1 OF 3
PROJECTION:		DRAW:
		DAP
GENERAL TOLERANCE		CHECK:
.000	±0.02	HWT
.00	±0.10	APPD:
.0	±0.20	HHM
.0	±2°	
.00	±1°	

铭创科技(东莞)有限公司 Mingchuang Technology (Dongguan) Co., Ltd		
TITLE		
TYPE C母座16PIN 立式两脚插板SMT L=6.0 全塑定制款 PA9T 黑色 注炉前公差±0.08		
MAT'L	SEE TABLE	FINISH SEE TABLE
DWG. NO.	A011658A	PART NO. _____ SIZE A4



以245度炉温，3分钟后，自然冷却
二次元测量数据。



炉后

NOTE:

备注:

1.MATERIAL SPECIFICATION:

1.材料规格:

1-1.HOUSING:HIGH TEMPERATURE RESISTANT PLASTIC,UL94 V-0.

1-1.胶芯材料: 高温塑胶, 防火等级UL94 V-0

1-2.TERMINAL: COPPER ALLOY

1-2.端子材料: 铜合金

1-3.FRONT SHELL: PA 9T

1-3.护套外壳: 尼龙 9T 防火等级UL94 V-0

1-4.MID PLATE: STAINLESS STEEL

1-4.中夹片: 不锈钢

2.PLATING SPECIFICATION:

2.电镀规格:

2-1.TERMINAL:

2-1.端子:

Ni 30-50u" MIN. UNDER PLATED OVER ALL.

镀镍底 30-50u" MIN.

Au PLATED 0.5~1u" OVER Ni

表面刷金0.5~1u"

2-2.FRONT SHELL:

2-2.外壳:

Ni 30-50u" MIN. PLATED OVER ALL.

镀镍底 30-50u" MIN.

3.MECHANICAL PERFORMANCE,

3.机械性能,

3-1.INSERTION FORCE: 0.8~2.0kgf.

3-1.插入力: 0.8~2.0kgf.

3-2.REMOVAL FORCE: 0.8kgf~2.0kgf.

3-2.拔出力: 0.8kgf~2.0kgf.

3-3.DURABILITY: 10000 CYCLES.

3-3.插拔寿命: 10000次.

4.ELECTRICAL PERFORMANCE,

4.电气性能,

4-1. VOLTAGE RATING: 20V DC/AC

4-1. 额定电压: 20V DC/AC

CURRENT RATING: 5A

额定电流: 5.0A

4-2. LLCR: 50mΩ/PIN MAX.

4-2. 接触阻抗: 50mΩ/PIN MAX.

4-3.INSULATION RESISTANCE: 100MΩ MIN

4-3. 绝缘阻抗: 100MΩ MIN

4-4.DIELECTRIC WITHSTAND VOLTAGE,AC 100V FOR 1 MINUTE.

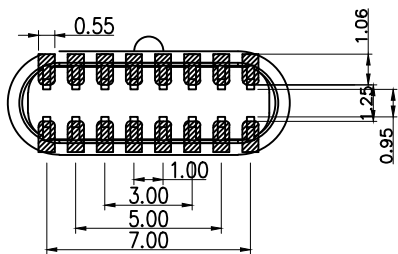
4-4. 耐电压: AC 100V FOR 1 MINUTE.

5. ENVIRONMENTAL PERFORMANCE:

5. 环境特性:

OPERATING TEMPERATURE: -25°C~+85°C.

工作温度: -25°C~+85°C.



RECOMMENDED P.C.B. LAYOUT
TOLERANCE UNSPECIFIED $\pm 0.05\text{mm}$

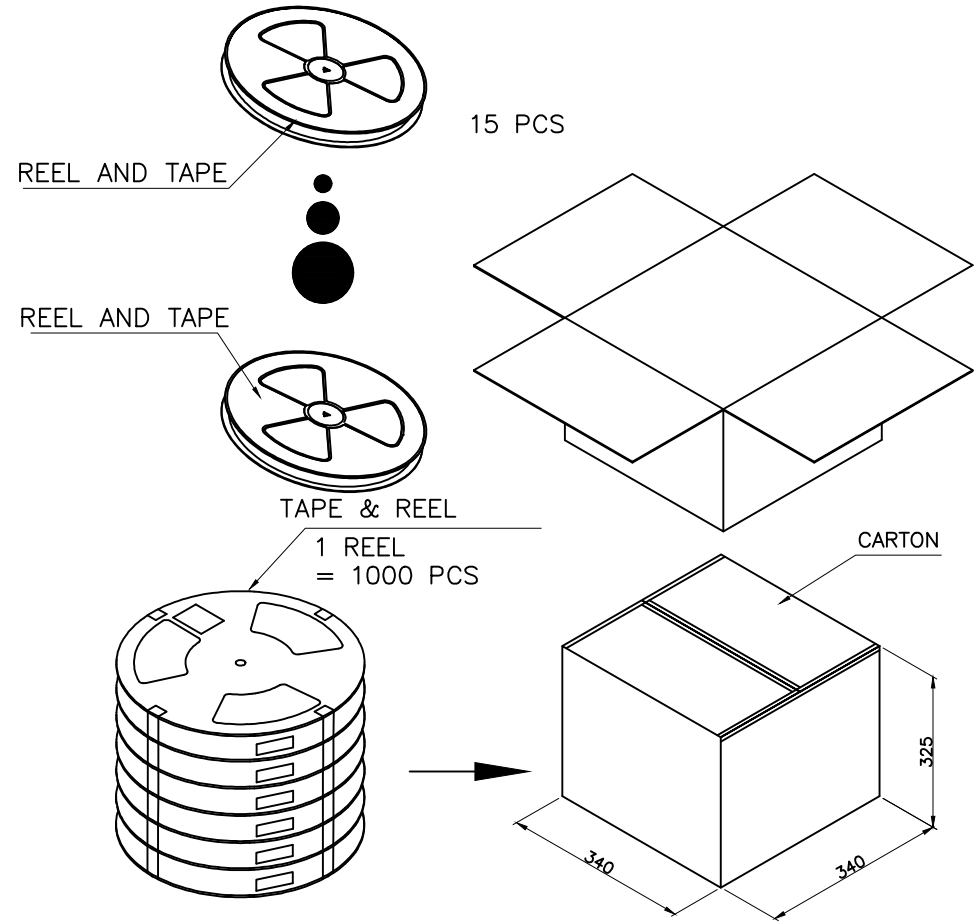
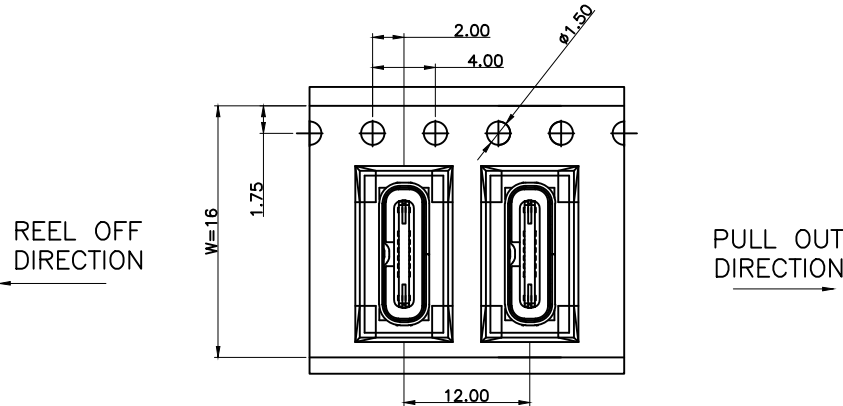
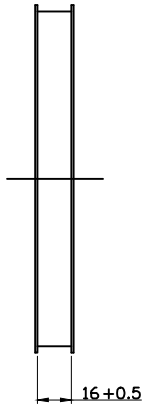
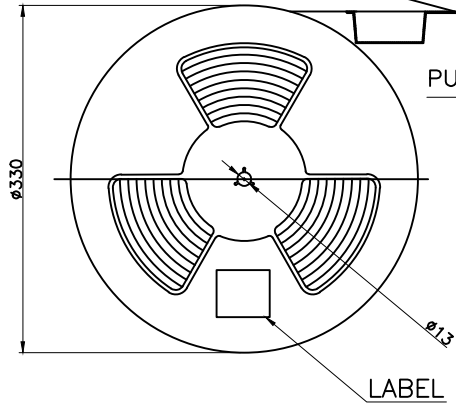
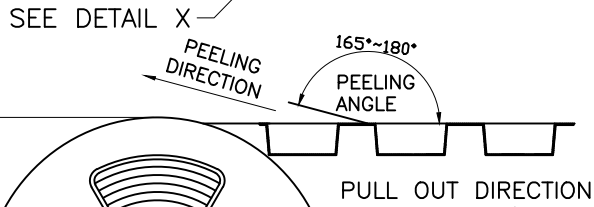
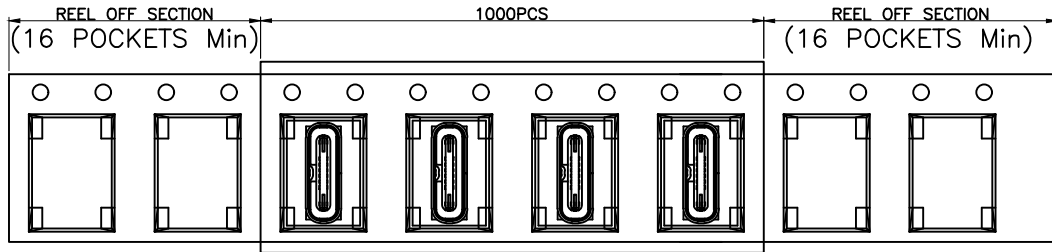
A1	GND	B12	GND
A4	VBUS	B9	VBUS
A5	CC1	B8	SBU2
A6	DP1	B7	DN2
A7	DN1	B6	DP2
A8	SBU1	B5	CC2
A9	VBUS	B4	VBUS
A12	GND	B1	GND
PIN	SIGNAL NAME	PIN	SIGNAL NAME

CUSTOMER DRAWING		
UNITS	SCALE	SHEET
mm	1:1	2 OF 3
PROJECTION:		DRAW:
		DAP
GENERAL TOLERANCE		CHECK:
.000	± 0.02	HWT
.00	± 0.10	APPD:
.0	± 0.20	HHM
.0	$\pm 2^\circ$	
.00	$\pm 1^\circ$	

铭创科技(东莞)有限公司		
Mingchuang Technology (Dongguan) Co., Ltd		
TITLE		
TYPE C母座16PIN 立式两脚插板SMT L=6.0		
全塑定制款 PA9T 黑色 注炉前公差 ± 0.08		
MAT'L	FINISH	
SEE TABLE	SEE TABLE	
DWG. NO.	PART NO.	SIZE
A011658A		A4



REV	DESCRIPTION	DATE	APPROVED
A	新板发行	2023.05.05	HHM



CUSTOMER DRAWING			铭创科技（东莞）有限公司 Mingchuang Technology (Dongguan) Co., Ltd		
UNITS mm	SCALE 1:1	SHEET 3 OF 3	TITLE TYPE C母座16PIN 立式两脚插板SMT L=6.0 全塑定制款 PA9T 黑色 注炉前公差±0.08		
PROJECTION: 	DRAW: DAP		MAT'L SEE TABLE	FINISH SEE TABLE	
GENERAL TOLERANCE .000 ±0.02 .00 ±0.10 .0 ±0.20 .0 ±2° .00 ±1°	CHECK: HWT		DWG. NO. A011658A		
	APPD: HHM		PART NO. _____	SIZE A4	