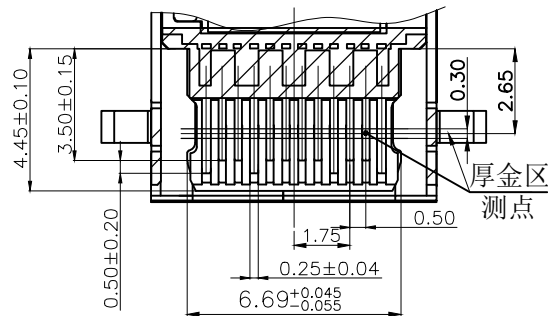
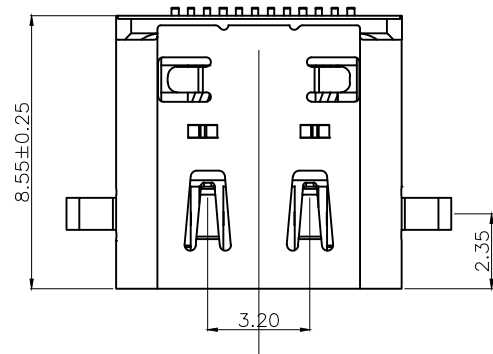




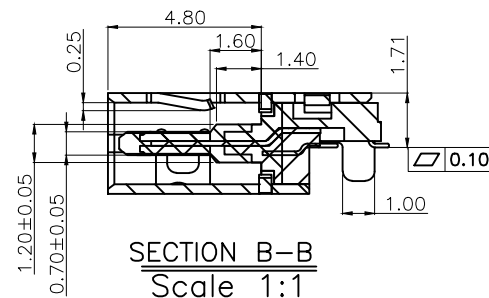
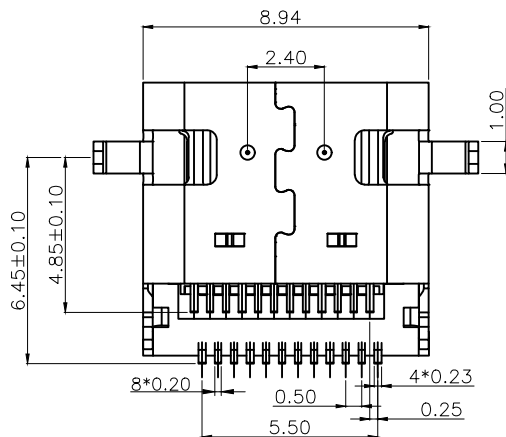
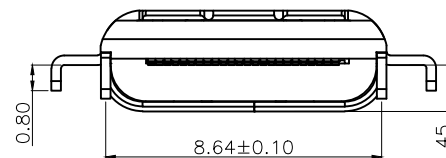
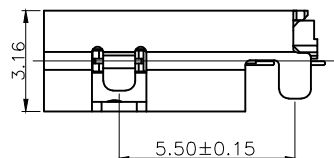
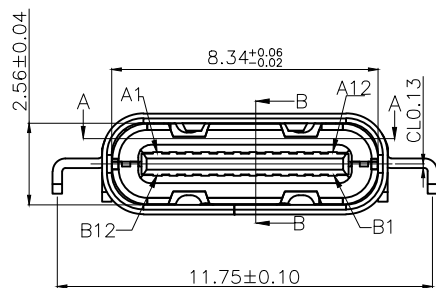
REV	DESCRIPTION	DATE	APPROVED
A	新板发行	2023.05.05	HHM



SECTION A-A
Scale 1:1

NOTES:

- MATERIAL:
MOLDING: LCP UL94 V-0
CONTACT: COPPER ALLOY.
PLATED GOLD ON CONTACT AREA,
G/F GOLD ON SOLDER AREA,
50u" NICKEL PLATING OVER ALL.
OUTER SHELL: SUS304-H, T=0.30±0.03mm
50u" NICKEL SOLDER AREA TAIL
LATCH: SUS301, T=0.15±0.03mm
- MECHANICAL:
INSERTION: 5~20N.
EXTRACTION: 8~20N.
DURABILITY: 10000 CYCLES
- ELECTRICAL:
CURRENT: 5A MAX FOR VBUS;
1.25A FOR GND, 0.25A FOR OTHER OTHER.
VOLTAGE: 20VDC MAX
WITHSTANDING VOLTAGE: 100V AC.
CONTACT RESISTANCE: 40mΩ MAX.
INSULATION RESISTANCE: 100MΩ MIN.
- ENVIRONMENTAL
TEMPERATURE RANGE -40°C ~ +85°C



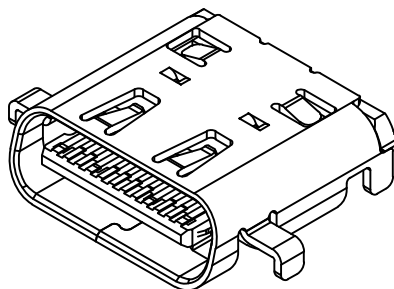
SECTION B-B
Scale 1:1

CUSTOMER DRAWING			铭创科技(东莞)有限公司 Mingchuang Technology (Dongguan) Co., Ltd		
UNITS mm	SCALE 1:1	SHEET 1 OF 4	TITLE TYPE C母座24PIN 沉板1.45 四脚插板SMT+SMT L=8.55 单壳 直边 三模 无柱 有弹 编带		
PROJECTION: 	DRAW: DAP	CHECK: HWT	MAT'L SEE TABLE	FINISH SEE TABLE	
GENERAL TOLERANCE .000 ±0.02 .00 ±0.10 .0 ±0.20 .0 ±2° .00 ±1°	APPD: HHM	DWG. NO. C392405A	PART NO. _____	SIZE A4	

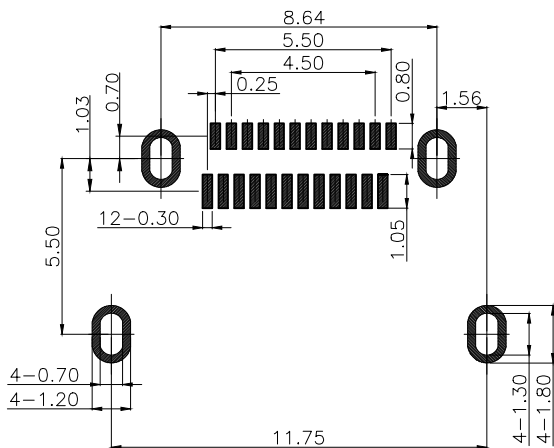


REV	DESCRIPTION	DATE	APPROVED
A	新板发行	2023.05.05	HHM

USB TYPE-C FULL-FEATURED RECEPTACLE INTERFACE PIN ASSIGNMENTS



PIN	Signal Name	Description	PIN	Signal Name	Description
A1	GND	Ground return	B12	GND	Ground return
A2	SSTXp1	Positive half of first SuperSpeed TX differential pair	B11	SSRXp1	Positive half of first SuperSpeed RX differential pair
A3	SSTXn1	Negative half of first SuperSpeed TX differential pair	B10	SSRXn1	Negative half of first SuperSpeed RX differential pair
A4	VBUS	Bus Power	B9	VBUS	Bus Power
A5	CC1	Configuration Channel	B8	SBU2	Sideband Use (SBU)
A6	Dp1	Positive half of the USB 2.0 differential pair-Position 1	B7	Dn2	Negative half of the USB 2.0 differential pair-Position 2
A7	Dn1	Negative half of the USB 2.0 differential pair-Position 1	B6	Dp2	Positive half of the USB 2.0 differential pair-Position 2
A8	SBU1	Sideband Use (SBU)	B5	CC2	Configuraation Channel
A9	VBUS	Bus Power	B4	VBUS	Bus Power
A10	SSRXn2	Negative half of second SuperSpeed RX differential pair	B3	SSTXn2	Negative half of second SuperSpeed TX differential pair
A11	SSRXp2	Positive half of second SuperSpeed RX differential pair	B2	SSTXp2	Positive half of second SuperSpeed TX differential pair
A12	GND	Ground return	B1	GND	Ground return

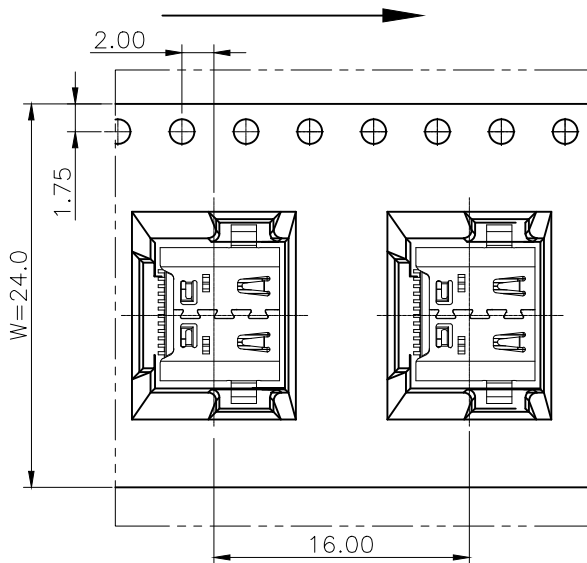
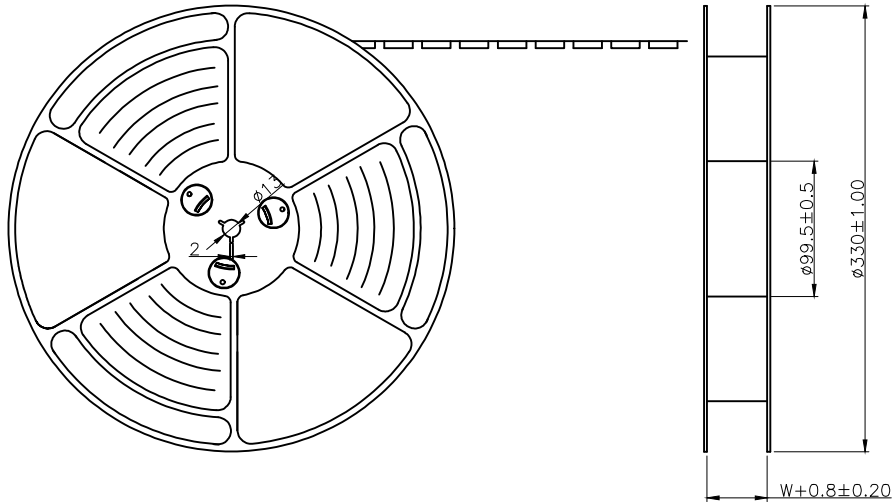


RECOMMEND P.C.B LAYOUT(COMPONENT SIDE)
TOLERANCE FOR PCB LAYOUT IS ± 0.05

CUSTOMER DRAWING			铭创科技（东莞）有限公司		
UNITS mm	SCALE 1:1	SHEET 2 OF 4	Mingchuang Technology (Dongguan) Co., Ltd		
PROJECTION: 	DRAW: DAP	CHECK: HWT	TITLE TYPE C母座24PIN 沉板1.45 四脚插板SMT+SMT L=8.55 单壳 直边 三模 无柱 有弹 编带		
GENERAL TOLERANCE .000 ±0.02 .00 ±0.10 .0 ±0.20 .0 ±2° .00 ±1°	APPD: HHM	MAT'L SEE TABLE	FINISH SEE TABLE		
		DWG. NO. C392405A	PART NO. _____	SIZE A4	



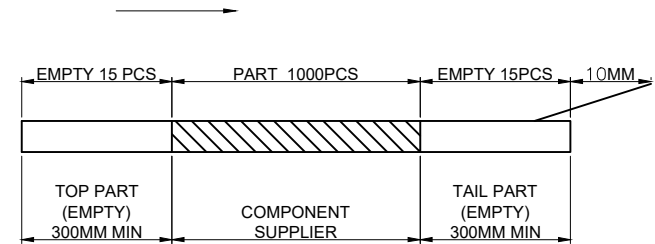
出料方向
PULL OUT DIRECTEON



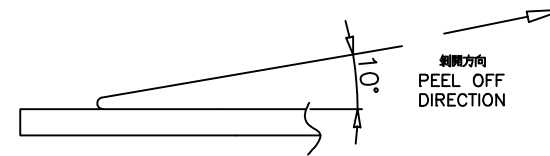
REV	DESCRIPTION	DATE	APPROVED
A	新板发行	2023.05.05	HHM

NOTES

1. 帶子引導長度
LEAD TAPE LENGTH
出料方向
PULL OUT DIRECTEON



2. 上帶 剝力力為: **0.1~1.3N(10.2gf~130gf)**
PEELING OFF FORCE OF TOP TAPE: 0.1~1.3N(10.2gf~130gf)
出貨運輸過程中一定注意:
THIS REQUIREMENT SHOULD BE APPLIED AT SHIPMENT:
卷帶在運輸過程中不能散開
PEELING OFF SHOULD NOT BE ALLOWED DURING TRANSPORTATION



CUSTOMER DRAWING			铭创科技(东莞)有限公司		
UNITS mm	SCALE 1:1	SHEET 3 OF 4	Mingchuang Technology (Dongguan) Co., Ltd		
PROJECTION: 	DRAW: DAP	TITLE TYPE C母座24PIN 沉板1.45 四脚插板SMT+SMT L=8.55 单壳 直边 三模 无柱 有弹 编带			
GENERAL TOLERANCE .000 ±0.02 .00 ±0.10 .0 ±0.20 .0 ±2° .00 ±1°	CHECK: HWT	MAT'L SEE TABLE	FINISH SEE TABLE		
	APPD: HHM	DWG. NO. C392405A	PART NO. _____	SIZE A4	

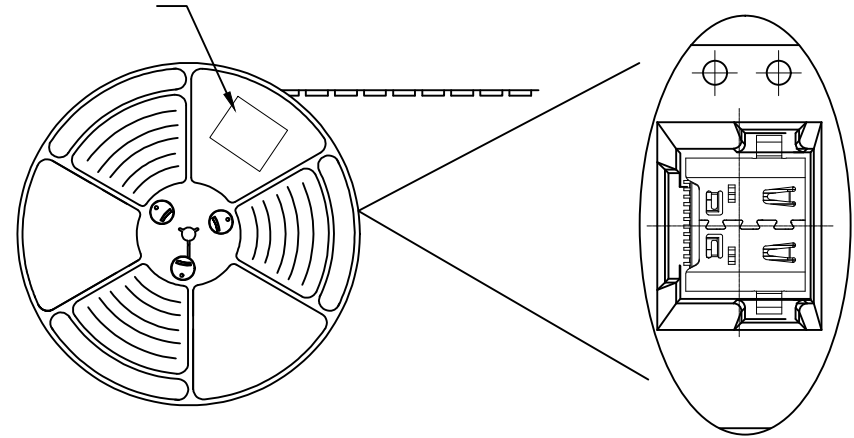


REV	DESCRIPTION	DATE	APPROVED
A	新板发行	2023.05.05	HHM

Label pasting location (facing the back of the circular hole on the roll)

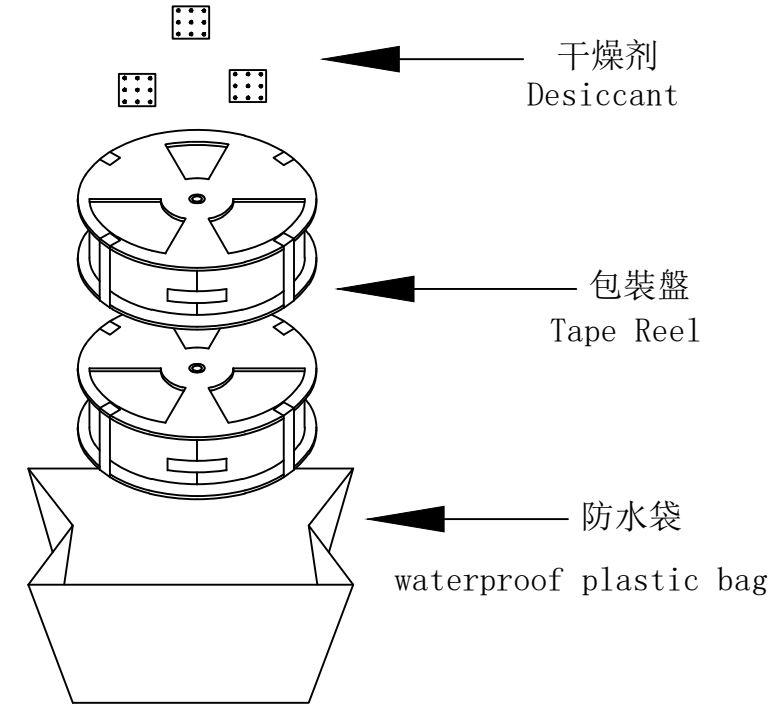
标签粘贴处 (朝卷带圆孔反面)

Location of label sticking (label)



NOTE:

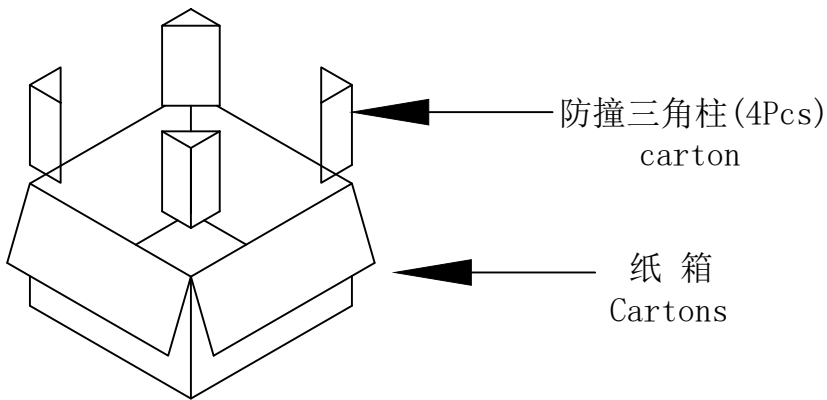
1. 每捲包裝數量及每箱裝箱數量如左下表格。
Packing q'ty of each reel & carton as below table shown.
2. 以上膠帶覆蓋下包裝帶經包裝機冷封包裝
Use cover tape to cover and hot melt machine to seal up.
3. 將裝滿產品的卷盤放入紙箱并以膠帶封口
Put reels in the carton and use adhesive tape to seal up.



干燥剂
Desiccant

包装盘
Tape Reel

防水袋
waterproof plastic bag



防撞三角柱 (4Pcs)
carton

纸箱
Cartons

产品料号 (PRODUCT No.)	包装数量 (PACKING CAPACITY)			重量 WEIGHT (Kg)		
	PCS/REEL	REELS/CARTON	PCS/CARTON	N.W./PCS	N.W./BOX	G.W./BOX
	1000	10	10000			

CUSTOMER DRAWING			铭创科技 (东莞) 有限公司 Mingchuang Technology (Dongguan) Co., Ltd		
UNITS mm	SCALE 1:1	SHEET 4 OF 4	TITLE TYPE C母座24PIN 沉板1.45 四脚插板SMT+SMT L=8.55 单壳 直边 三模 无柱 有弹 编带		
PROJECTION: 	DRAW: DAP	CHECK: HWT	MAT'L SEE TABLE	FINISH SEE TABLE	
GENERAL TOLERANCE .000 ±0.02 .00 ±0.10 .0 ±0.20 .0 ±2° .00 ±1°	APPD: HHM	DWG. NO. C392405A	PART NO. _____	SIZE A4	