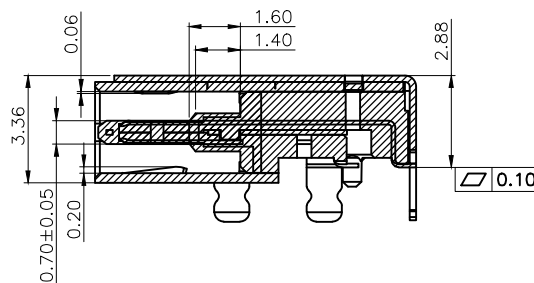
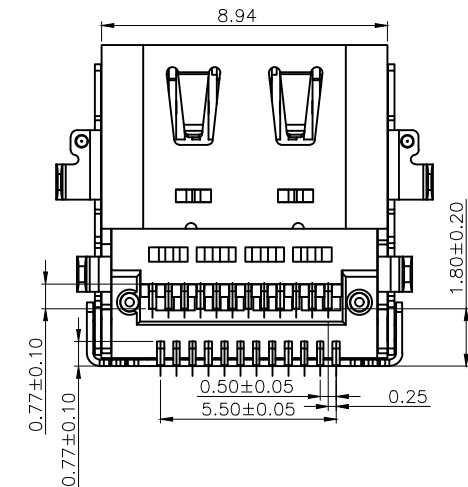
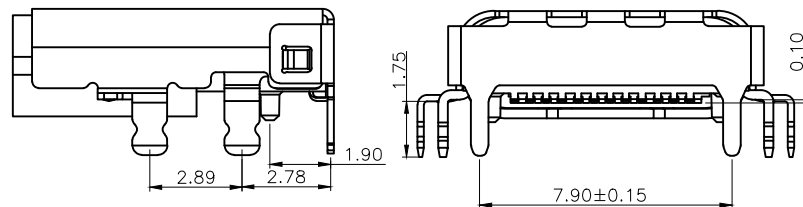
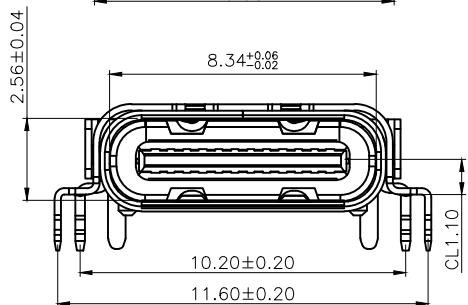
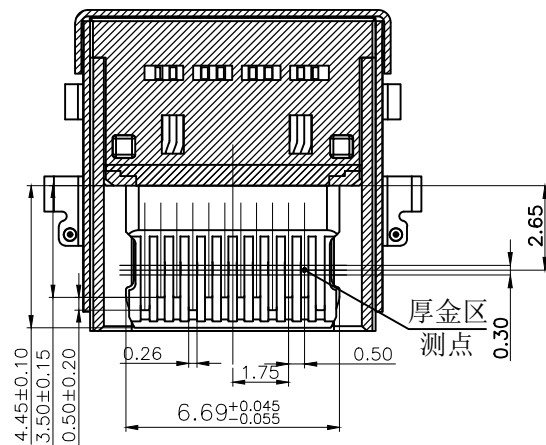
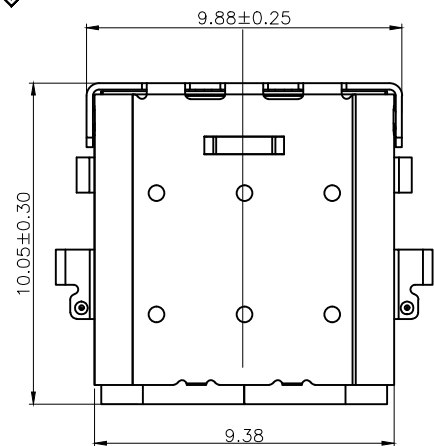




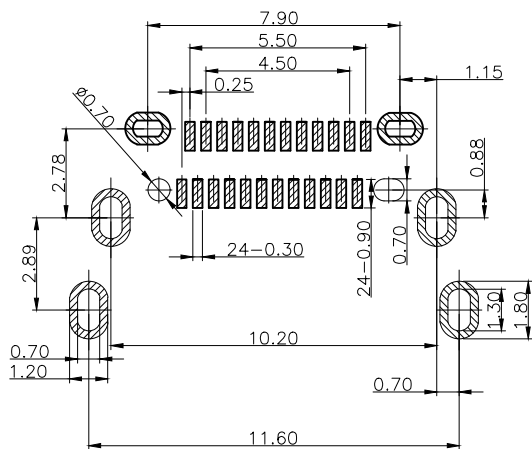
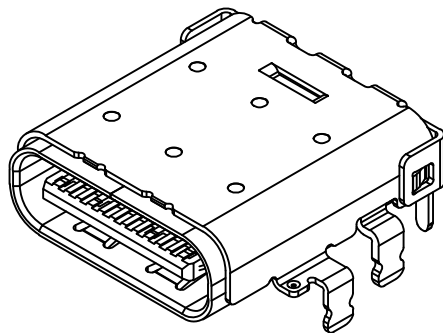
REV	DESCRIPTION	DATE	APPROVED
A	新板发行	2023.05.05	HHM



NOTES:

- MATERIAL:
  - MOLDING: LCP UL94 V-0
  - CONTACT: COPPER ALLOY.
  - PLATED GOLD ON CONTACT AREA,
  - G/F GOLD ON SOLDER AREA,
  - 50u" NICKEL PLATING OVER ALL.
  - OUTER SHELL: SUS304-H,T=0.30±0.03mm
  - 50u" NICKEL SOLDER AREA TAIL
  - LATCH: SUS301,T=0.15±0.03mm
- MECHANICAL:
  - INSERTION: 5~20N.
  - EXTRACTION: 8~20N.
  - DURABILITY: 10000 CYCLES
- ELECTRICAL:
  - CURRENT: 5A MAX FOR VBUS;
  - 1.25A FOR GND, 0.25A FOR OTHER OTHER.
  - VOLTAGE: 20VDC MAX
  - WITHSTANDING VOLTAGE: 100V AC.
  - CONTACT RESISTANCE: 40mΩ MAX.
  - INSULATION RESISTANCE: 100MΩ MIN.
- ENVIRONMENTAL
  - TEMPERATURE RANGE -40°C ~ +85°C

CUSTOMER DRAWING			铭创科技(东莞)有限公司 Mingchuang Technology (Dongguan) Co., Ltd		
UNITS mm	SCALE 1:1	SHEET 1 OF 2	TITLE TYPE C母座24PIN 沉板1.1 六脚插板SMT+SMT L=10.05 双壳 三模 有柱 无弹		
PROJECTION: 	DRAW: DAP	CHECK: HWT	MAT'L SEE TABLE	FINISH SEE TABLE	
GENERAL TOLERANCE .000 ±0.02 .00 ±0.10 .0 ±0.20 .0 ±2° .00 ±1°	APPD: HHM	DWG. NO. C392407A	PART NO. _____	SIZE A4	



RECOMMEND P.C.B LAYOUT(COMPONENT SIDE)  
TOLERANCE FOR PCB LAYOUT IS  $\pm 0.05$

REV	DESCRIPTION	DATE	APPROVED
A	新板发行	2023.05.05	HHM

USB TYPE-C FULL-FEATURED RECEPTACLE INTERFACE PIN ASSIGNMENTS

PIN	Signal Name	Description	PIN	Signal Name	Description
A1	GND	Ground return	B12	GND	Ground return
A2	SSTXp1	Positive half of first SuperSpeed TX differential pair	B11	SSRXp1	Positive half of first SuperSpeed RX differential pair
A3	SSTXn1	Negative half of first SuperSpeed TX differential pair	B10	SSRXn1	Negative half of first SuperSpeed RX differential pair
A4	VBUS	Bus Power	B9	VBUS	Bus Power
A5	CC1	Configuration Channel	B8	SBU2	Sideband Use (SBU)
A6	Dp1	Positive half of the USB 2.0 differential pair-Position 1	B7	Dn2	Negative half of the USB 2.0 differential pair-Position 2
A7	Dn1	Negative half of the USB 2.0 differential pair-Position 1	B6	Dp2	Positive half of the USB 2.0 differential pair-Position 2
A8	SBU1	Sideband Use (SBU)	B5	CC2	Configuration Channel
A9	VBUS	Bus Power	B4	VBUS	Bus Power
A10	SSRXn2	Negative half of second SuperSpeed RX differential pair	B3	SSTXn2	Negative half of second SuperSpeed TX differential pair
A11	SSRXp2	Positive half of second SuperSpeed RX differential pair	B2	SSTXp2	Positive half of second SuperSpeed TX differential pair
A12	GND	Ground return	B1	GND	Ground return

CUSTOMER DRAWING			铭创科技(东莞)有限公司 Mingchuang Technology (Dongguan) Co., Ltd		
UNITS mm	SCALE 1:1	SHEET 2 OF 2	TITLE TYPE C母座24PIN 沉板1.1 六脚插板SMT+SMT L=10.05 双壳 三模 有柱 无弹		
PROJECTION: 	DRAW: DAP	CHECK: HWT	MAT'L SEE TABLE	FINISH SEE TABLE	
GENERAL TOLERANCE .000 $\pm 0.02$ .00 $\pm 0.10$ .0 $\pm 0.20$ .0 $\pm 2^\circ$ .00 $\pm 1^\circ$	APPD: HHM	DWG. NO. C392407A	PART NO. _____	SIZE A4	