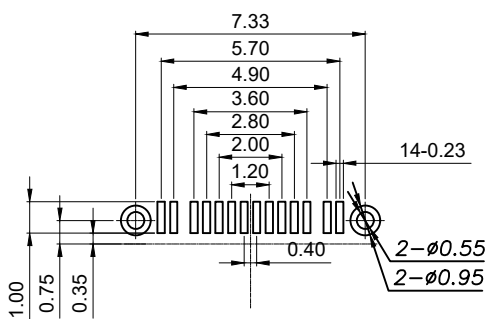
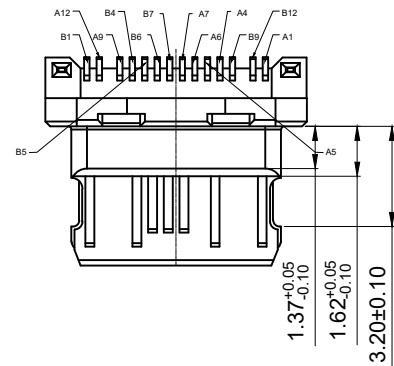
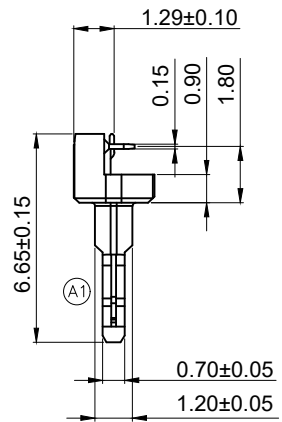
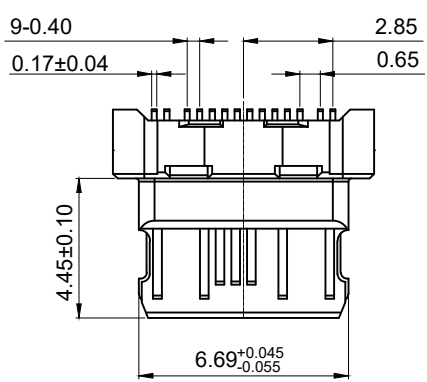
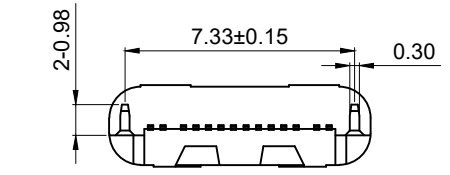
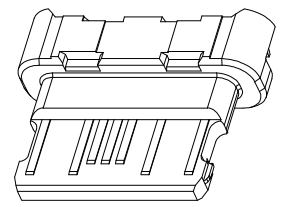




REV	DESCRIPTION	DATE	APPROVED

**SPECIFICATION:**

- ELECTRICAL:**
  - CURRENT RATING:5A;
  - CONTACT RESISTANCE:40mΩ Max;
  - DIELECTRIC WITHSTANDING VOLTAGE:100V AC;
  - INSULATION RESISTANCE:100 MΩ MIN;
- MECHANICAL;**
  - THIS PRODUCT DOES NOT HAVE A CASING, IT IS NON-STANDARD PRODUCT. THE INSERTION AND EXTRACTION FORCE CANNOT MEET THE REQUIREMENTS ASSOCIATION STANDARDS
  - MATING FORCE:5~20N;
  - UNMATING FORCE:5~20N;
  - DURABILITY:10000 CYCLES;
- MATERIAL:**
  - HOUSING&MOLDING:LCP BLACK UL94V-0;
  - TERMINAL:C7025 T=0.15mm;
  - MID PLATE:SUS304 T=0.15mm;
- PLATING SPECIFICATION:**
  - TERMINAL:CONTACT POINT GOLD PLATED 15u "MIN PIN WELDING AREA GOLD PLATED 1u" MIN.
- ELECTROPLATED PRODUCTS NEED TO UNDERGO TIN ADHESION TESTING: THE TIN ADHESION AREA SHOULD REACH OVER 95%.**
- SMT REFLOW SOLDERING (PEAK VALUE 260 °C ± 5 ° C) SHALL BE FREE OF BLISTERING, GLUE MELTING AND POOR COLOR CHANGE (DEFORMATION WITHIN TOLERANCE)**
- OPERATING TEMPERATURE: -40°C~+85°C**



RECOMMENDED P.C.B. LAYOUT (T:1.00mm)  
TOLERANCE UNSPECIFIED ±0.05mm

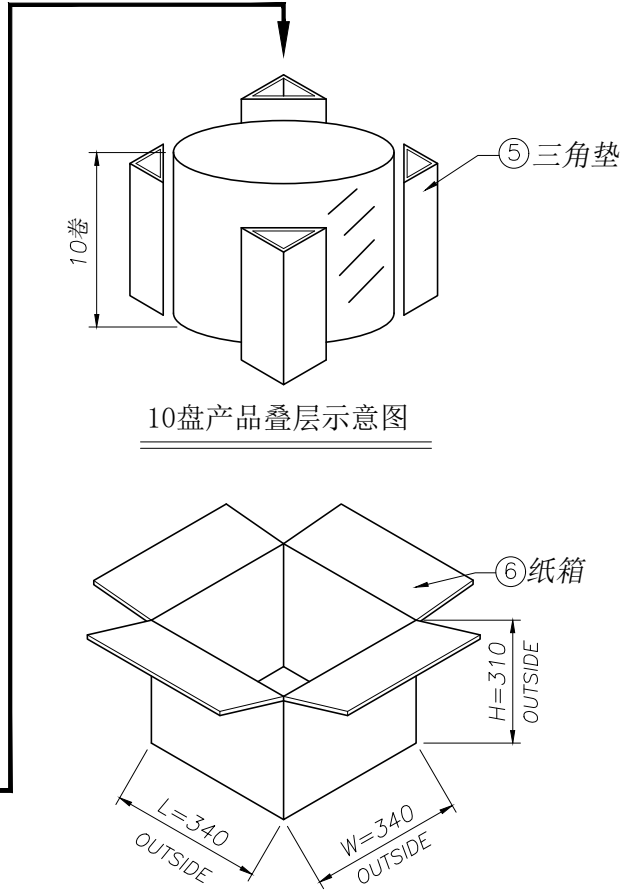
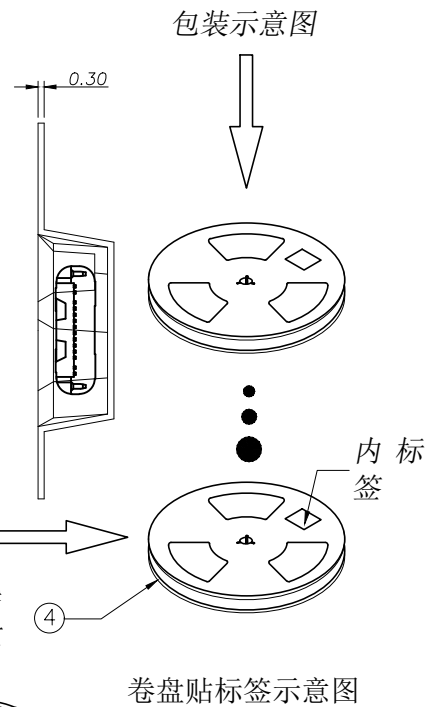
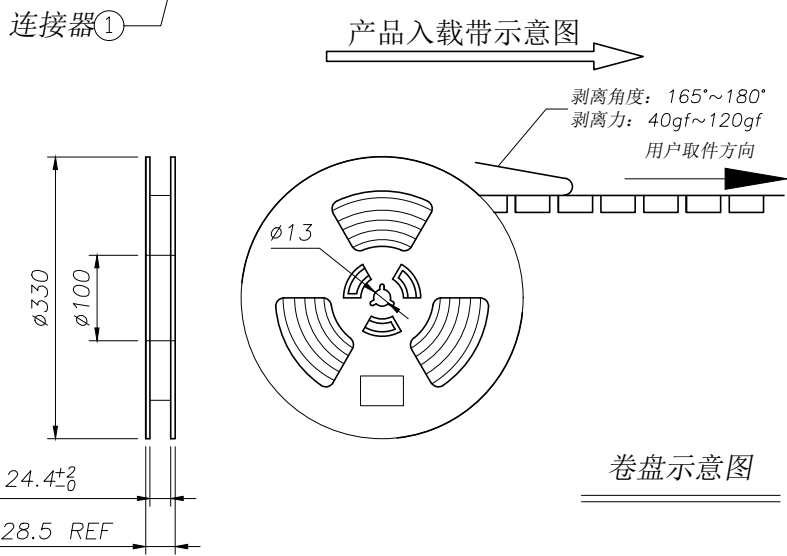
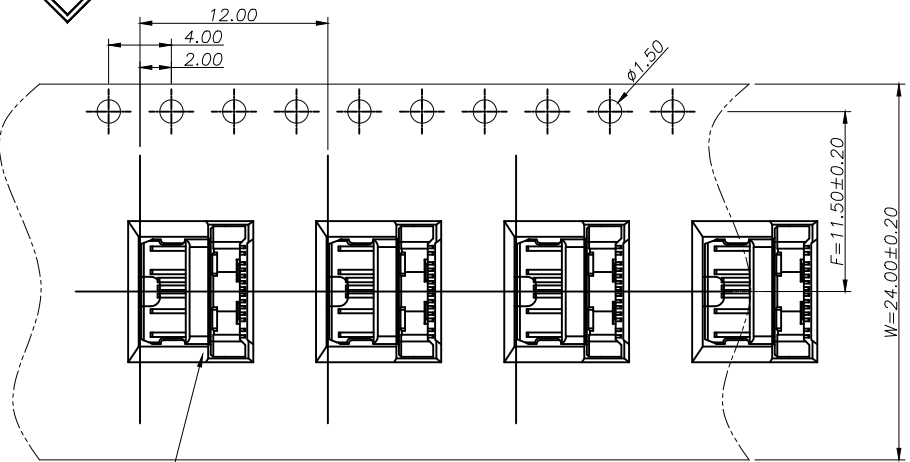
A1	GND	B12	GND
A4	VBUS	B9	VBUS
A5	CC1	B8	
A6	D+	B7	Dn2
A7	D-	B6	Dp2
A8		B5	CC2
A9	VBUS	B4	VBUS
A12	GND	B1	GND
PIN	SIGNAL NAME	PIN	SIGNAL NAME

CUSTOMER DRAWING		
UNITS mm	SCALE 1:1	SHEET 1 OF 2
PROJECTION: 	DRAW: DAP	
GENERAL TOLERANCE X. ±0.25 X.x ±0.20 X.xx ±0.15 X.xxx ±0.10 ANGLES ±2°	CHECK: HWT	
	APPD: HHM	

<b>铭创科技 (东莞) 有限公司</b> Mingchuang Technology (Dongguan) Co., Ltd		
TITLE TYPE C 母座14PIN 沉板1.6 后两脚 插板SMT L=6.65 CH=0.00		
MAT'L SEE TABLE	FINISH SEE TABLE	
DWG. NO. A031408A	PART NO.	SIZE A4



REV	DESCRIPTION	DATE	APPROVED



- 技术要求:
- 载带前面留15PCS空格, 后面留20PCS空格, 不装产品;
  - 每穴放置1PCS产品, 每卷装1500PCS产品, 放置方式如图所示;
  - 将包装好的产品, 每盘必需贴上内标签; 将贴好内标签的产品每10盘堆叠;
  - 在纸箱四角垫上4个三角垫, 然后把装好产品的卷盘放入纸箱中, 最后用胶带封箱; (如客户有要求, 请按客户要求包装出货)
  - 上带与载带的剥离力: 40Gf~120gf, 跳动量在30gf内; (剥离角度: 165°~180°, 剥离速度: 250~300mm/min)
  - 产品符合RoHS环保标准要求。

06	纸箱	B-05-0011	340mm*340mm*310mm	1 PCS
05	三角垫	/	300mm*260mm*7mm	4 PCS
04	卷盘	/	D=330mm, d=100mm, H=28.5mm	10 PCS
03	上带	/	W=20.7mm, T=0.05mm	18000 mm
02	载带	B-03-0005	W=24mm, T=0.50mm, P=12.0mm	18000 mm
01	连接器	A031408A	14PIN, SMT	15000 PCS
序号	物料名称	物料编号	规格	描述

CUSTOMER DRAWING		
UNITS mm	SCALE 1:1	SHEET 1 OF 2
PROJECTION: 	DRAW: DAP	
GENERAL TOLERANCE X. ±0.25 X.x ±0.20 X.xx ±0.15 X.xxx ±0.10 ANGLES ±2°	CHECK: HWT	MAT'L SEE TABLE FINISH SEE TABLE
	APPD: HHM	
	DWG. NO. A031408A	

铭创科技(东莞)有限公司 Mingchuang Technology (Dongguan) Co., Ltd		
TITLE TYPE C母座14PIN 沉板1.6 后两脚 插板SMT L=6.65 CH=0.00		
DWG. NO. A031408A	PART NO. _____	SIZE A4